

LEONARD PETERSON  
WOOD LABORATORY  
FURNITURE

ΕΛΒΙΛΛΟΒΕ

ΛΛΟΟΡ ΡΥΡΟΤΑΤΟΤ



# Leonard Peterson & Company, Inc.

- Since 1890, designer and manufacturer of wood laboratory furniture, and still using the industry's finest construction methods and materials.
- Family-owned and operated, emphasizing excellence in products, delivery, and service.
- All elevations and multi-cabinet assemblies are factory pre-assembled to insure accurate and easy installation on the job site.
- Custom made furniture also available, to fit unique or special customer needs.
- Three-year full warranty against defects in material and workmanship on products manufactured by Leonard Peterson & Co.
- Experienced representatives ready to serve you. To contact one near you call (334) 821-6832.



LEONARD PETERSON & COMPANY, INC.  
P.O. BOX 2277, AUBURN, ALABAMA 36831-2277  
334-821-6832 [www.lpco.com](http://www.lpco.com)

# Table of Contents

• <u>INTRODUCTION.....</u>	<u>3</u>
• <u>CONSTRUCTION.....</u>	<u>4</u>
• <u>STANDARD BASE UNITS.....</u>	<u>1.1</u>
• <u>STANDARD HANGING WALL UNITS.....</u>	<u>2.1</u>
• <u>STANDARD TALL UNITS.....</u>	<u>3.1</u>
• <u>STUDENT TABLES.....</u>	<u>4.1</u>
• <u>INSTRUCTORS DESKS.....</u>	<u>5.1</u>
• <u>MOBILE CASEWORK.....</u>	<u>6.1</u>
• <u>COUNTERTOPS, SINKS AND ACCESSORIES.....</u>	<u>7.1</u>
• <u>LABORATORY FIXTURES.....</u>	<u>8.1</u>
• <u>FUME HOODS.....</u>	<u>9.1</u>
• <u>SAFETY EQUIPMENT.....</u>	<u>10.1</u>
• <u>STANDARD CASEWORK MODEL NUMBERS.....</u>	<u>11.1</u>
• <u>ALPHABETICAL INDEX.....</u>	<u>12.1</u>
• <u>NUMERICAL INDEX.....</u>	<u>13.1</u>





# Introduction



*Leonard Peterson, founder.*



*Chicago Factory, circa 1900.*

Leonard Peterson & Co., Inc. was founded in 1890 in Chicago, and moved to Auburn in 1980. We are the oldest manufacturer of wood laboratory casework in the United States. Our products are marketed and sold nationwide through approved, highly trained, experienced dealers who call on and work directly with end users and specifiers of laboratory casework.

Throughout Peterson's 130 plus years of manufacturing we have taken pride in producing the highest quality product in the marketplace. Our casework continues to be recognized for its soundness, workmanship and longevity in use. We have furniture installations over 60 years old in educational and research facilities still in day-to-day use with very little maintenance over the same period.

Today, our design and manufacturing utilize the most modern technology, yet our extensive experience has not been lost. Technical advances have increased safety and efficiency. Experience tells us what has passed the uncompromising test of time. Combined, these allow us to provide the best available design and product for the often harsh and abusive environment of educational and research laboratories.

Our oak and maple modular casework lines include base cabinets, wall cases, specialty storage cases and tables. Together with balance tables, laminate or chemical resistant tops, sinks, fixtures, fume hoods and other laboratory components, Leonard Peterson & Co., Inc. can provide a complete laboratory or classroom environment for all our customers including grade schools, universities, research facilities, and hospitals.

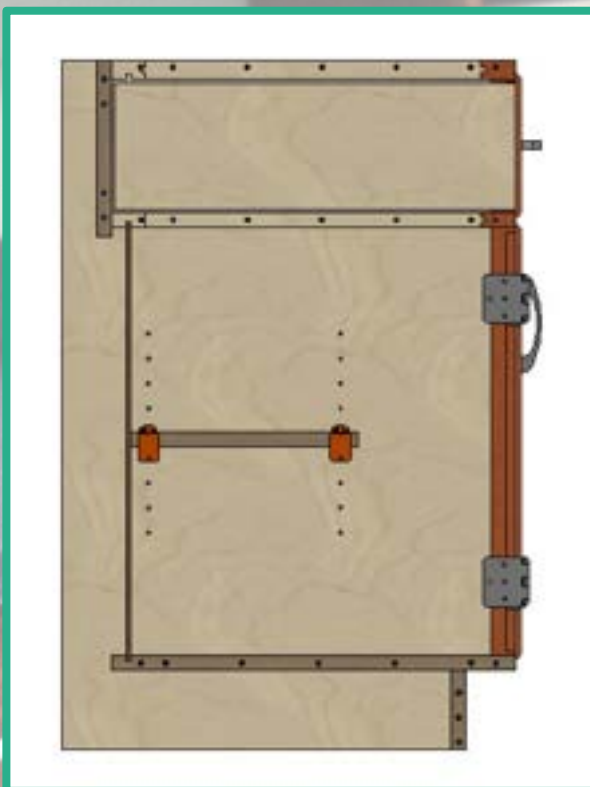


LEONARD PETERSON & COMPANY, INC.

P.O. BOX 2277, AUBURN, ALABAMA 36831-2277

334-821-6832 [www.lpco.com](http://www.lpco.com)

# CENTURY CONSTRUCTION (LIPPED OVERLAY)



1. Furnished in either Plain Sliced Red Oak or Plain Sliced Maple.
2. Incorporates full intermediate frames between all drawers and doors.
3. Uses an integral drawer suspension system where the drawers operate on cabinet frames (no drawer slides).
4. Provided with 1 ¼" solid oak facers on all cabinet and case ends. Facers allow for hinges to be attached into solid hardwood, which has stronger holding power than plywood.
5. Drawer fronts provided with 13/16" solid oak or maple (no plywood).
6. Drawer fronts to have horizontal grain. Door fronts to have vertical grain.
7. Doors are 13/16" 5-ply hardwood framed with solid cores, hardwood bandings and oak or maple veneered faces.



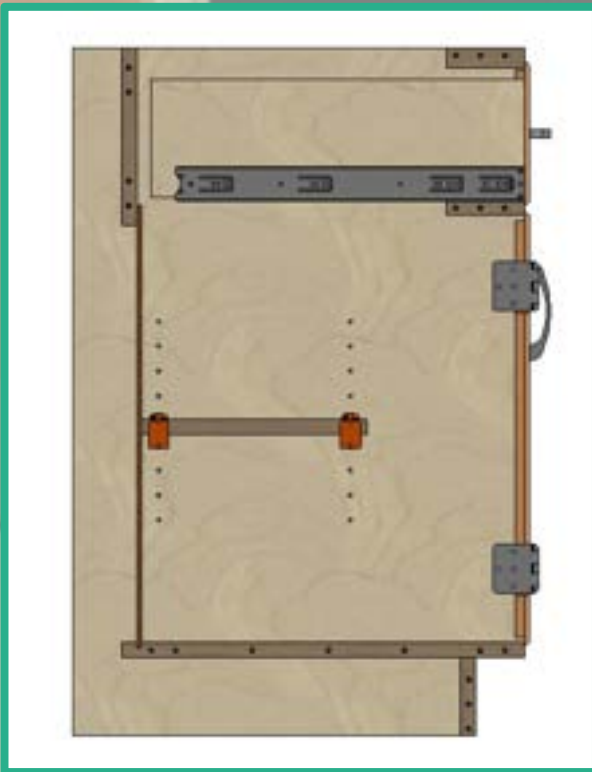
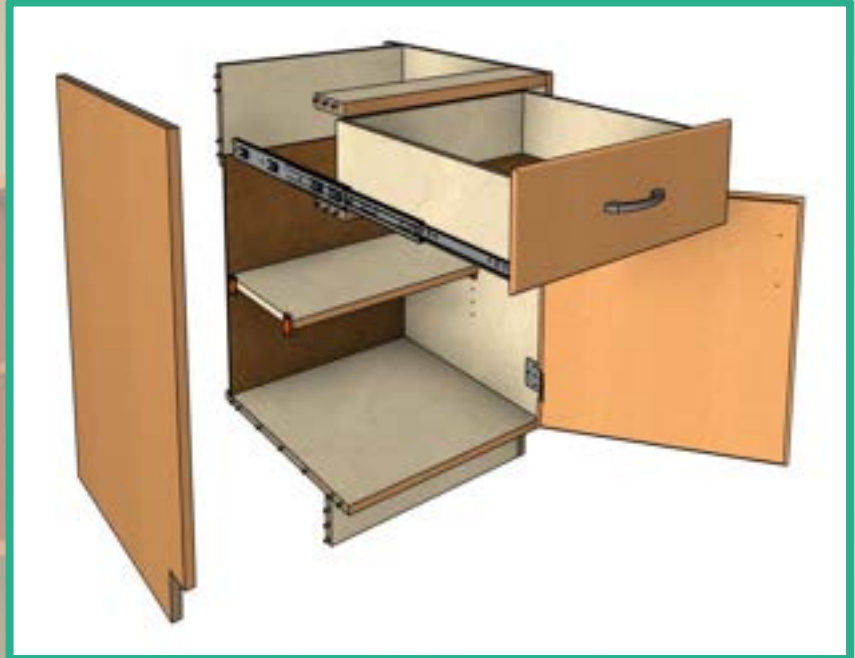
LEONARD PETERSON & COMPANY, INC.

P.O. BOX 2277, AUBURN, ALABAMA 36831-2277

334-821-6832 [www.lpco.com](http://www.lpco.com)



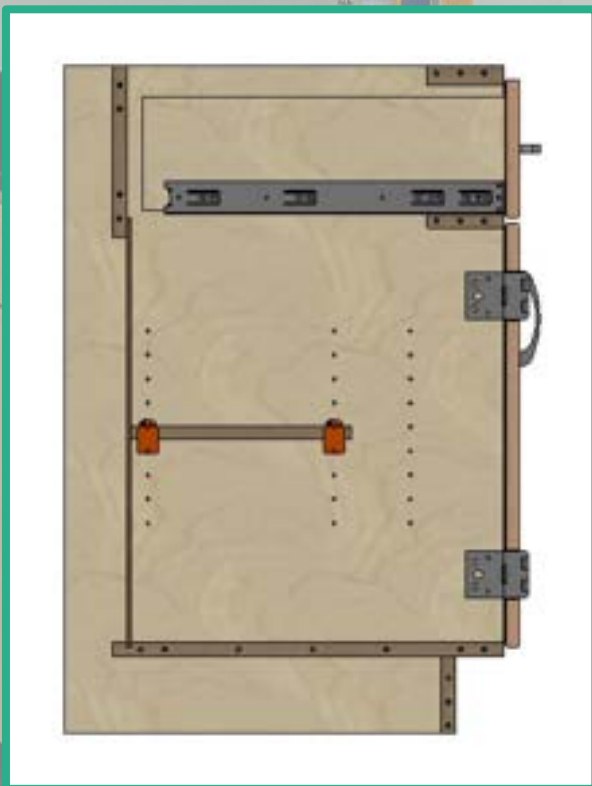
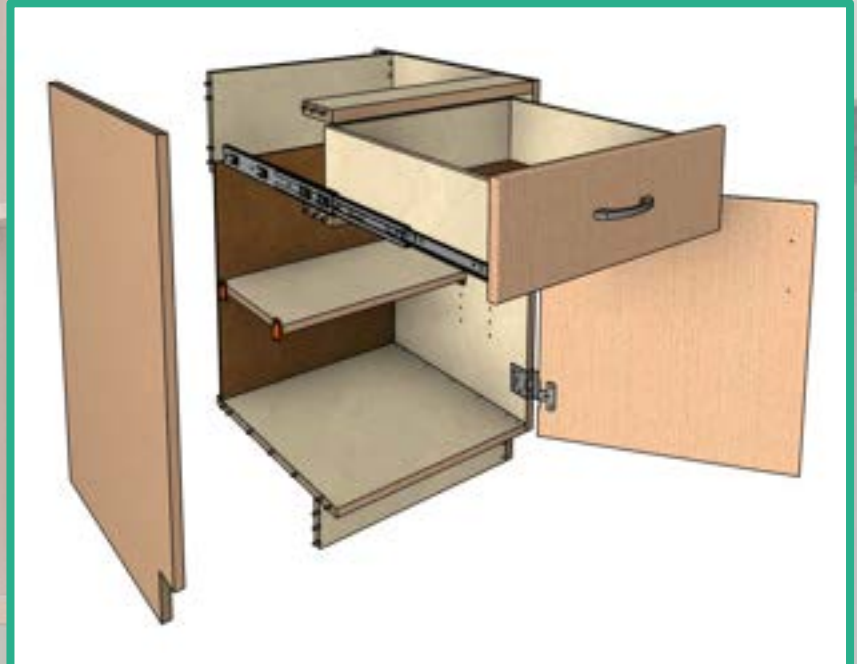
# VANGUARD CONSTRUCTION (LIPPED OVERLAY)



1. Furnished in either Plain Sliced Red Oak or Plain Sliced Maple.
2. Drawers furnished on 100lbs. full extension ball bearing slides.
3. Cabinets furnished with front intermediate rails between all drawers or doors and drawers.
4. Drawer fronts provided with 13/16" solid oak or maple (no plywood).
5. Drawer fronts to have horizontal grain. Door fronts to have vertical grain.
6. Doors are 13/16" 5-ply hardwood framed with solid cores, hardwood bandings and oak or maple veneered faces.



# VANGUARD CONSTRUCTION (REVEAL OVERLAY)



1. Furnished in either Plain Sliced Red Oak or Plain Sliced Maple.
2. Drawers furnished on 100lbs. full extension ball bearing slides.
3. Cabinets furnished with front intermediate rails between all drawers or doors and drawers.
4. Door fronts and drawer fronts are 3/4" thick, furnished with particleboard cores, oak or maple veneer faces and solid oak or maple banding.
5. Drawer fronts and door fronts to have matching vertical grain or combination grain.



LEONARD PETERSON & COMPANY, INC.

P.O. BOX 2277, AUBURN, ALABAMA 36831-2277

334-821-6832 [www.lpco.com](http://www.lpco.com)

# Casework Finish Selection

## Red Oak Color Selector

Plain Sliced Red Oak cabinets are available in the five standard colors shown. Custom match stain is available for a premium.

*Colors in print vary from actual physical stain colors. Physical Samples will be provided at time of submittal.*



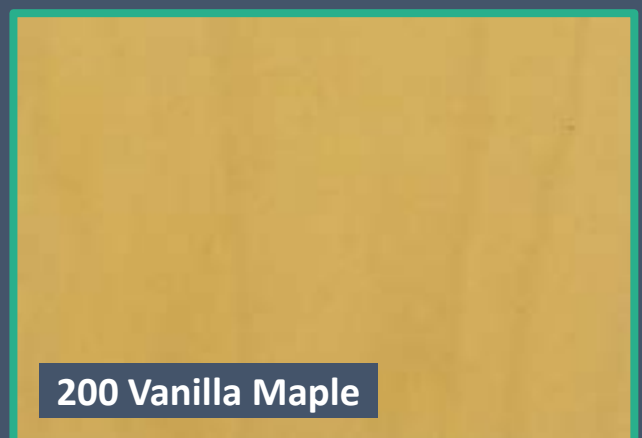
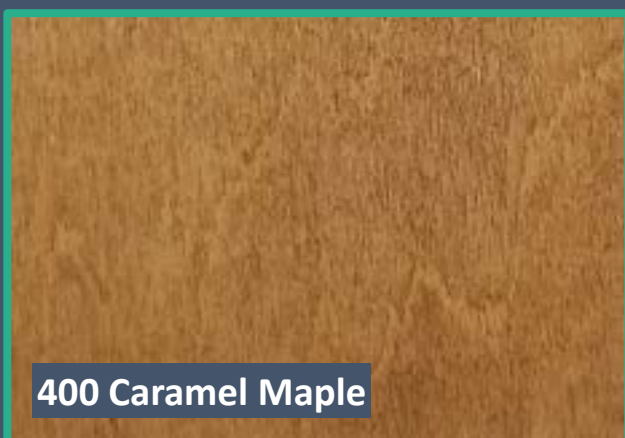
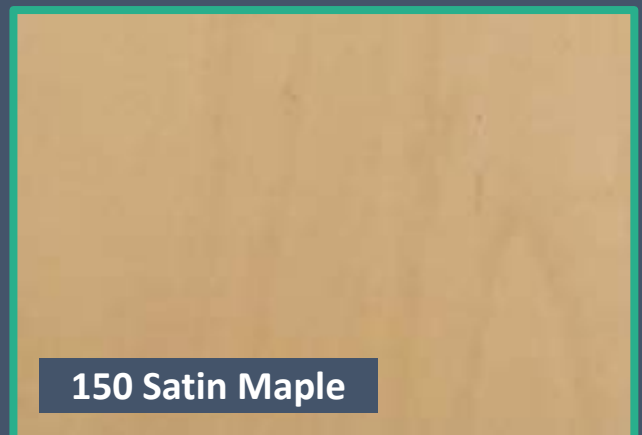
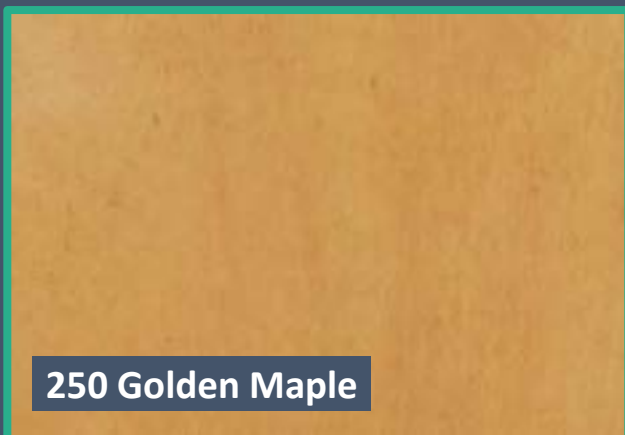


# Casework Finish Selection

## Maple Color Selector

Plain Sliced and Rotary Cut Maple cabinets are available in the five standard colors shown. Custom match stain is available for a premium.

*Colors in print vary from actual physical stain colors. Physical Samples will be provided at time of submittal.*



LEONARD PETERSON & COMPANY, INC.

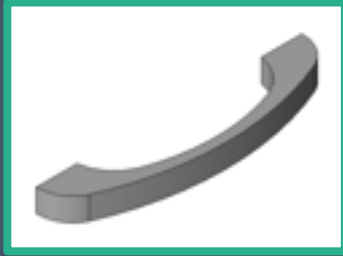
P.O. BOX 2277, AUBURN, ALABAMA 36831-2277

334-821-6832 [www.lpco.com](http://www.lpco.com)

# Casework Hardware

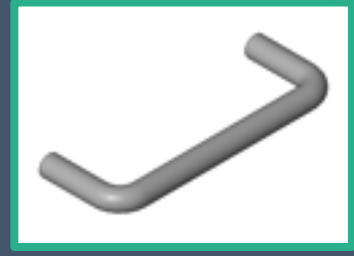
## BAR PULL

Standard finish:  
Brushed Aluminum.  
Also available: Black.



## WIRE PULL

Standard finish:  
Brushed Aluminum.  
Also available: Black,  
Stainless Steel.



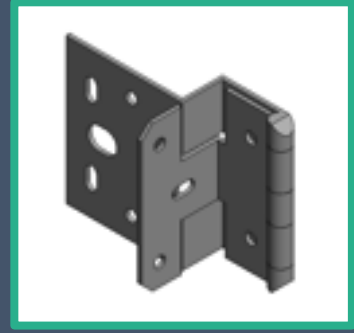
## 5 KNUCKLE HINGE

(for lipped doors)  
Standard finish:  
Stainless Steel.  
Also available: Black.



## 5 KNUCKLE HINGE

(for Reveal Overlay doors)  
Standard finish:  
Stainless Steel.  
Also available: Black.



## STANDARD LOCK

5 disk tumbler deadbolt  
with multiple keying  
options.  
Standard finish: Nickel.  
Also available: Black.



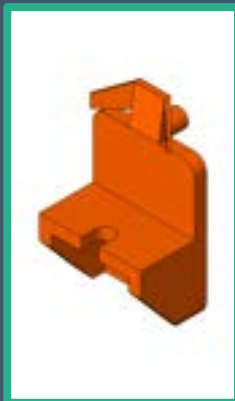
## SLIDING DOOR LOCK

with push in cylinder, key  
turn engages bolt behind  
strike.  
Standard finish: Nickel.  
Also available: Black.



## SHELF CLIP

Nylon. 75 lb  
capacity (350  
lbs per 4  
brackets)  
Sized for  $\frac{3}{4}$ "  
and 1" thick  
shelves.



## BALL BEARING DRAWER SLIDE

Full Extension  
100 lb load  
capacity.





# Casework Hardware

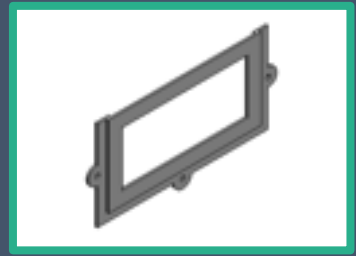
## NUMBER TAG

Chrome finished with black stamped letters. Pin nailed to face of door/drawer.



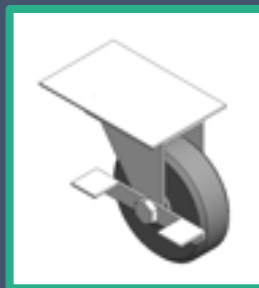
## LABEL HOLDER

Stainless Steel designed to hold 2-1/8" x 1-1/4" card. Pin nailed to face of door/drawer.



## CASTERS

Castors can be provided in swivel and non swivel, locking and non locking as well as a variety of sizes.



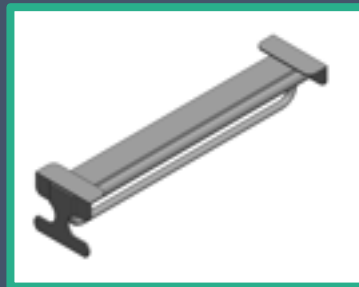
## ADJUSTABLE

**GLIDE** with non marring material, provided at table legs .



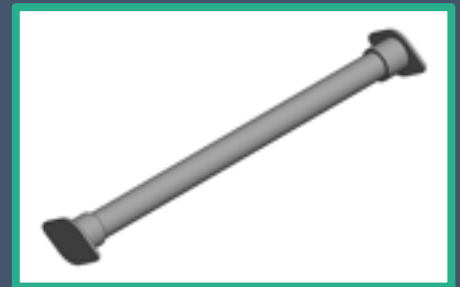
## PULLOUT HANGER

**ROD** provided for coat storage less than 23" deep.



## HANGER ROD

Provided at coat storage 23" deep.



LEONARD PETERSON & COMPANY, INC.

P.O. BOX 2277, AUBURN, ALABAMA 36831-2277

334-821-6832 [www.lpco.com](http://www.lpco.com)



# Base Cabinets

- Standard modular base sections are designed to satisfy a wide variety of storage requirements. Various width, height and depth sections, with numerous door and drawer configurations are available providing a large degree of flexibility to fit almost any situation. Cabinet height is 29" providing a 30" high countertop when furnished with 1" tops. Refer to the table below for more detailed information regarding the base cabinet descriptions. Drawers and doors are furnished without locks. Locks can be furnished where required, when so specified.
- Adjustable shelves are provided for all cupboards. Standard interior height dimensions of cupboards for 29" High Base Sections are: Full Height = 23 ¼" or ¾ height = 17 ¼". Standard Interior height dimensions of drawers for 29" High Base Sections are: 1/6 Ht = 2 5/8", 1/4 Ht = 4 5/8", and 1/3 Ht = 6 5/8".
- Standard Interior height dimension for file drawers is 10 ¼". Various Cabinet configurations may include differing interior dimension heights for drawers and cupboards.

## Base cabinet WIDTHS are available as follows:

Single door units - 12", 15", 18", 21", 24"

Double door units - 24", 27", 30", 33", 36", 39", 42", 45", 48"

Open shelving and Drawer units - 12" through 48"

## Base cabinet DEPTHS are available as follows:

15", 21" (all sizes nominal)

## Base cabinet HEIGHTS are available as follows:

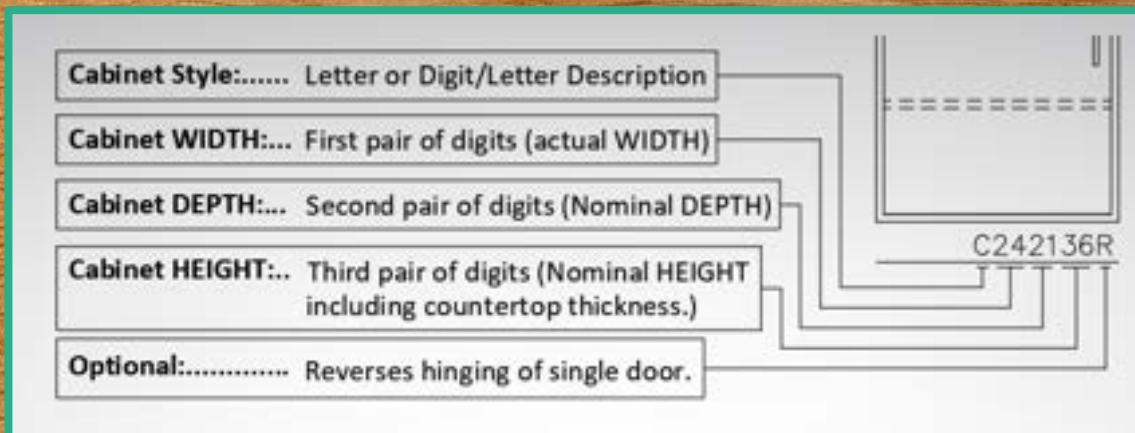
30" Sitting Height

34" ADA Height (Nominal)

36" Standing Height

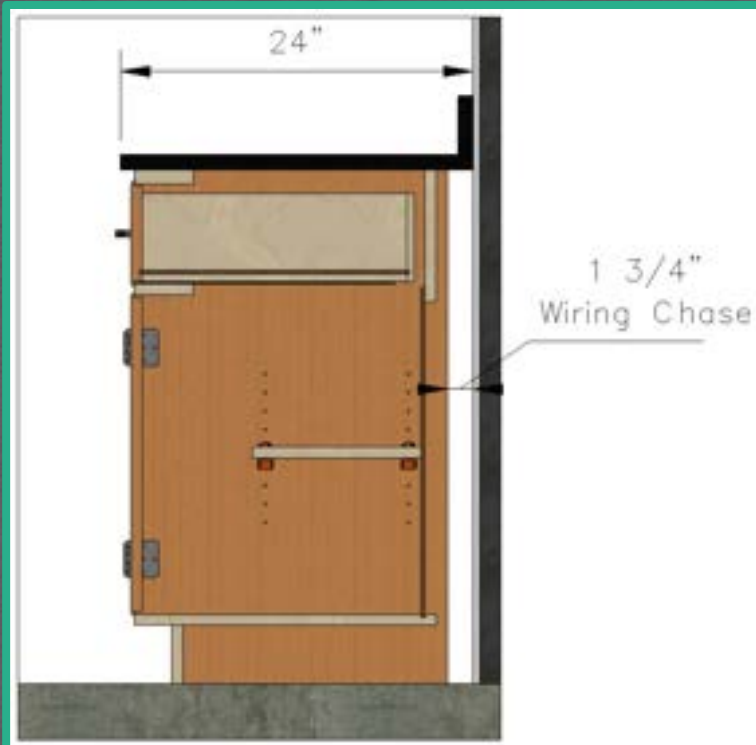
Sizes include 1" nominal countertop thickness.

*All sizes listed are Leonard Peterson standard. If special sizes are required contact a Leonard Peterson representative.*





# Base Cabinets



24" Standard  
Countertop Depth  
over our standard  
21 1/4" deep base  
cabinet provides a  
small 1 3/4" chase  
adequate for wiring  
and small pipes.

30" Lab  
Countertop Depth  
over our standard  
21 1/4" deep base  
cabinet provides a  
7 3/4" chase adequate  
for wiring, plumbing  
and HVAC.



LEONARD PETERSON & COMPANY, INC.

P.O. BOX 2277, AUBURN, ALABAMA 36831-2277

334-821-6832 [www.lpco.com](http://www.lpco.com)

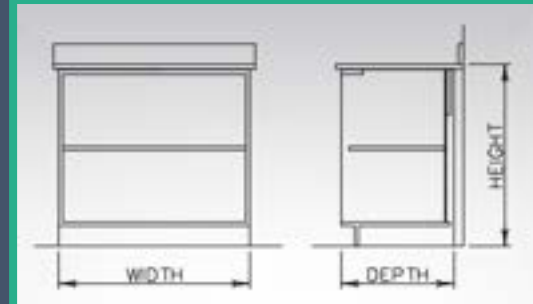


# Base Cabinets



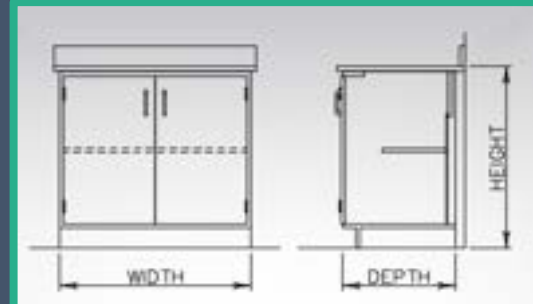
**'A' Style** open base bookshelf unit. One full depth shelf and finished interior.

**WIDTH:** 12, 15, 18, 21, 24, 30, 33, 36, 39, 42, 45, 48  
**DEPTH:** 12, 15, 21  
**HEIGHT:** 30, 34, 36



**'B' Style** Full height double door base unit. Provided with double doors and one shelf standard.

**WIDTH:** 27, 30, 33, 36, 39, 42, 45, 48  
**DEPTH:** 15, 21  
**HEIGHT:** 30, 34, 36



**'B' Style** Full height single door base unit. The pull is on the left by default. Add an "R" to the cabinet name to place the pull on the right.

**WIDTH:** 12, 15, 18, 21, 24  
**DEPTH:** 15, 21  
**HEIGHT:** 30, 34, 36

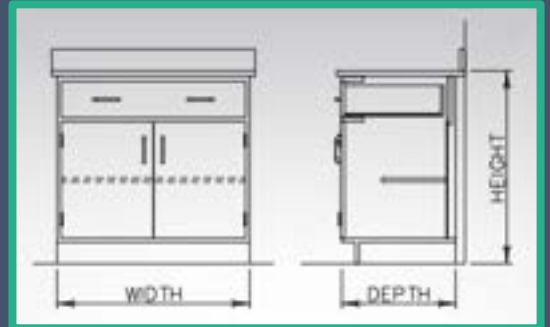




# Base Cabinets

**'C' Style** single drawer over closed-door cupboard. Available with double doors. Provided with one shelf.

**WIDTH:** 27, 30, 33, 36, 39, 42, 45, 48  
**DEPTH:** 15, 21  
**HEIGHT:** 30, 34, 36



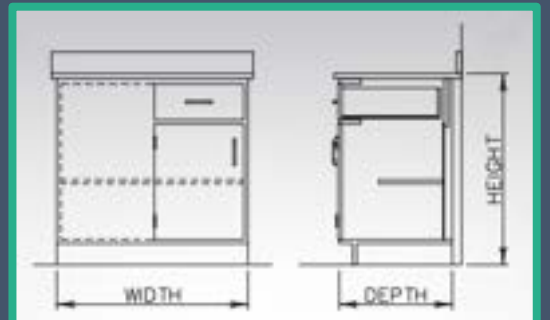
**'C' Style** single drawer over single door base unit. The pull is on the left by default. Add an "R" to the cabinet name to place the pull on the right.

**WIDTH:** 12, 15, 18, 21, 24  
**DEPTH:** 15, 21  
**HEIGHT:** 30, 34, 36



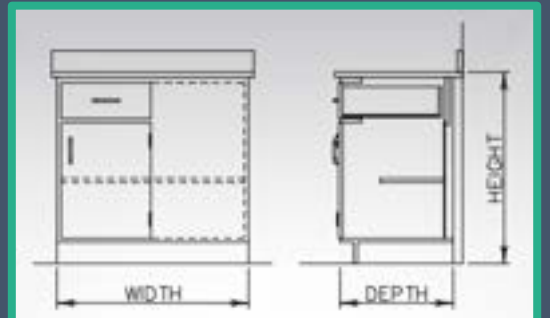
**'CL' Style** one drawer over one door blind corner storage. Right-handed pull.

**WIDTH:** 30, 33, 36, 39, 42, 45, 48  
**DEPTH:** 15, 21  
**HEIGHT:** 30, 34, 36



**'CR' Style** one drawer over one door blind corner storage. Left-handed pull.

**WIDTH:** 30, 33, 36, 39, 42, 45, 48  
**DEPTH:** 15, 21  
**HEIGHT:** 30, 34, 36

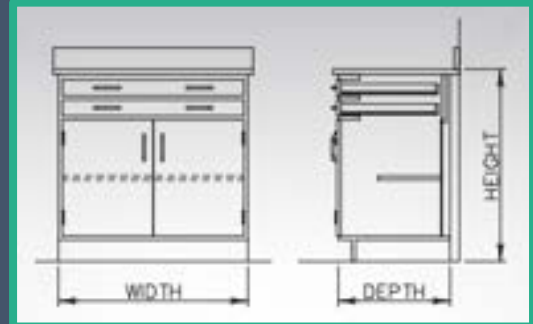




# Base Cabinets

**'CX' Style** Two stacked drawers over a closed-door cupboard. Available with double doors. Provided with one shelf.

WIDTH: 27, 30, 33, 36, 39, 42, 45, 48  
DEPTH: 15, 21  
HEIGHT: 36



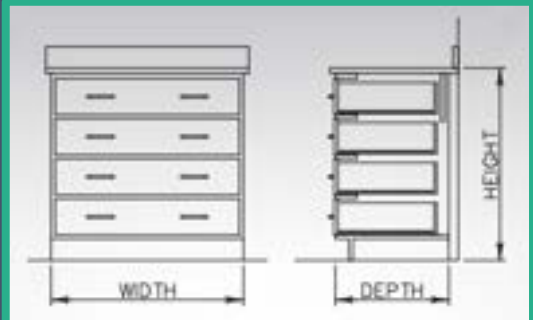
**'CX' Style** Two stacked drawers over door base unit. The pull is on the left by default. Add an "R" to the cabinet name to place the pull on the right.

WIDTH: 12, 15, 18, 21, 24  
DEPTH: 15, 21  
HEIGHT: 36



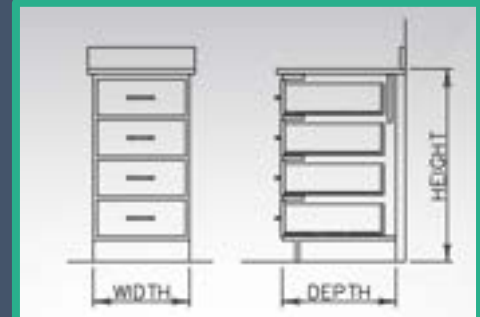
**'D' Style** Double pull four drawer base cabinet.

WIDTH: 27, 30, 33, 36, 39, 42, 45, 48  
DEPTH: 15, 21  
HEIGHT: 30, 34, 36



**'D' Style** Single pull four drawer base cabinet.

WIDTH: 12, 15, 18, 21, 24  
DEPTH: 15, 21  
HEIGHT: 30, 34, 36

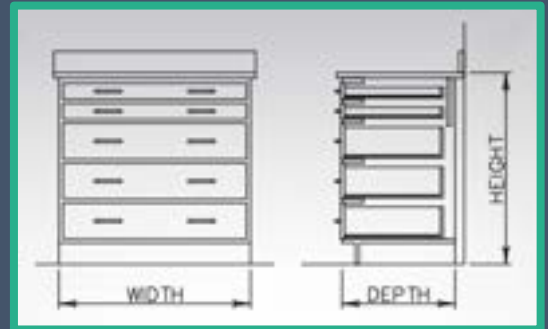




# Base Cabinets

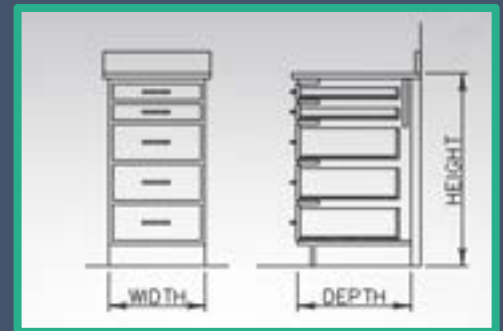
**'DX' Style** Double pull five drawer base cabinet.

WIDTH: 27, 30, 33, 36, 39, 42, 45, 48  
DEPTH: 15, 21  
HEIGHT: 36



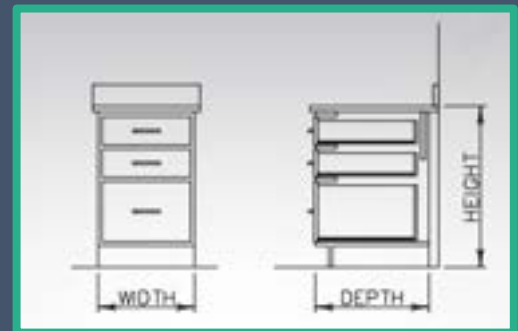
**'DX' Style** Single pull five drawer base cabinet.

WIDTH: 12, 15, 18, 21, 24  
DEPTH: 15, 21  
HEIGHT: 36



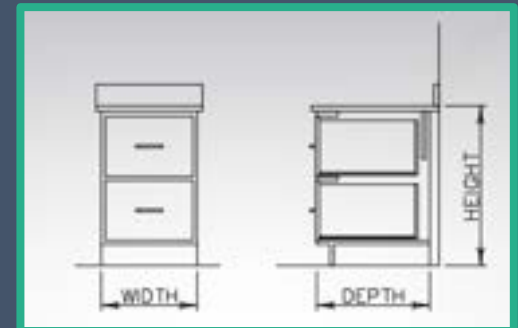
**'DK' Style** Three drawer file cabinet.

WIDTH: 12, 15, 18, 21, 24  
DEPTH: 15, 21  
HEIGHT: 30



**'2DK' Style** Double file cabinet.  
*Internal file hardware only available in 30" high unit.*

WIDTH: 12, 15, 18, 21, 24  
DEPTH: 15, 21  
HEIGHT: 30, 34, 36

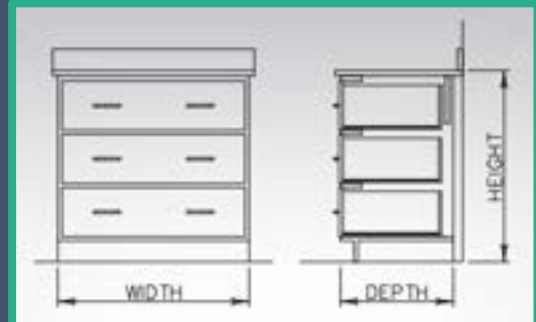




# Base Cabinets

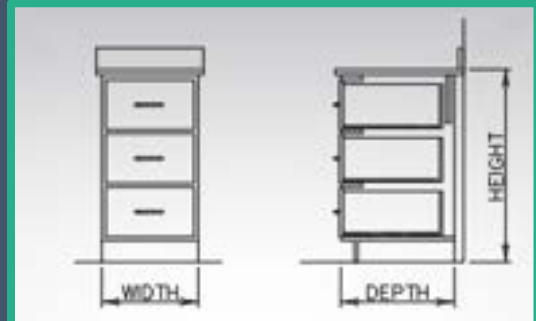
**'3D' Style** Double pull three drawer base cabinet.

WIDTH: 27, 30, 33, 36, 39, 42, 45, 48  
DEPTH: 15, 21  
HEIGHT: 30, 34, 36



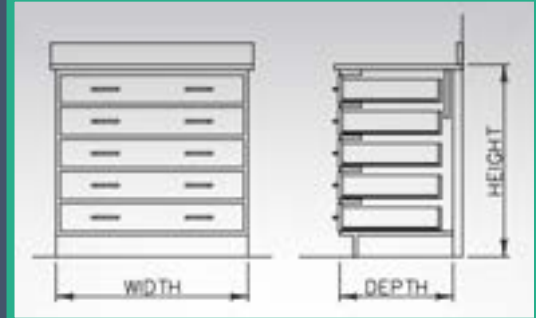
**'3D' Style** Single pull three drawer base cabinet.

WIDTH: 12, 15, 18, 21, 24  
DEPTH: 15, 21  
HEIGHT: 30, 34, 36



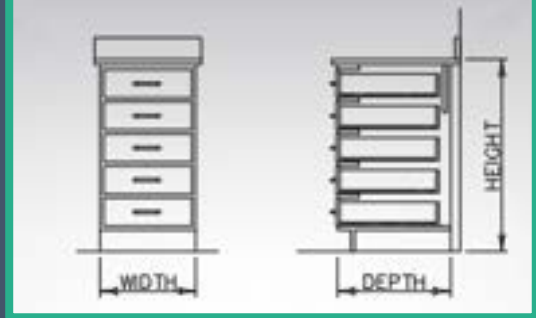
**'5D' Style** Double pull five equal height drawer base cabinet.

WIDTH: 27, 30, 33, 36, 39, 42, 45, 48  
DEPTH: 15, 21  
HEIGHT: 36



**'5D' Style** Single pull five equal height drawer base cabinet.

WIDTH: 12, 15, 18, 21, 24  
DEPTH: 15, 21  
HEIGHT: 36

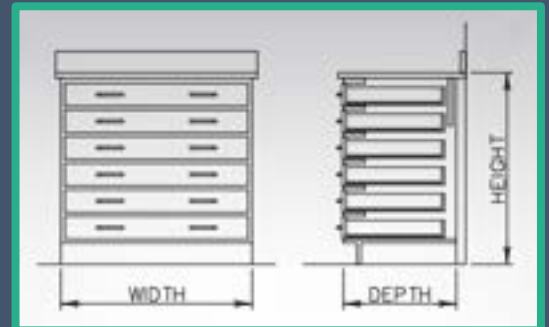




# Base Cabinets

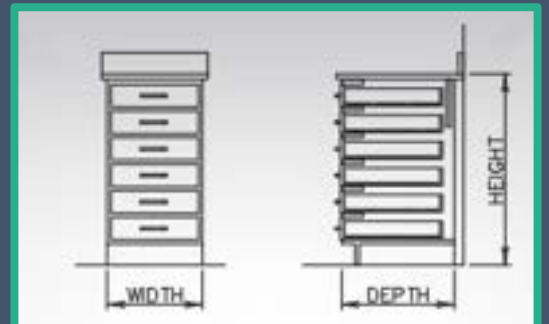
**'6D' Style** Double pull six equal height drawer unit.

WIDTH: 27, 30, 33, 36, 39, 42, 45, 48  
DEPTH: 15, 21  
HEIGHT: 36



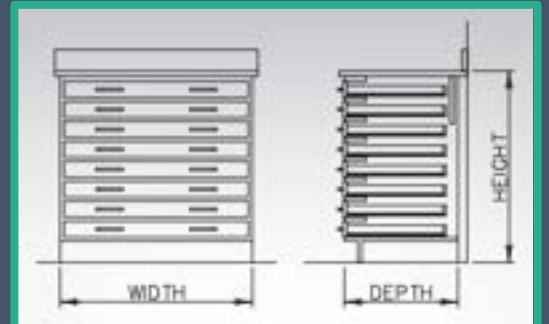
**'6D' Style** Single pull six equal height drawer unit.

WIDTH: 12, 15, 18, 21, 24  
DEPTH: 15, 21  
HEIGHT: 36



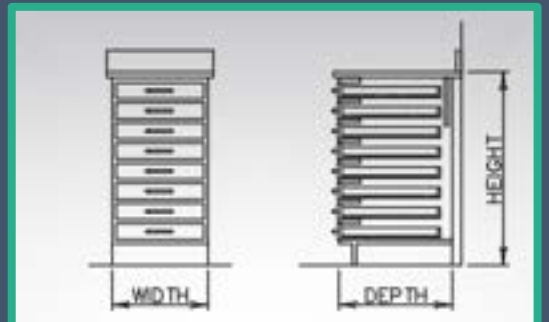
**'8D' Style** Double pull eight equal height drawer unit.

WIDTH: 27, 30, 33, 36, 39, 42, 45, 48  
DEPTH: 15, 21  
HEIGHT: 36



**'8D' Style** Single pull eight equal height drawer unit.

WIDTH: 12, 15, 18, 21, 24  
DEPTH: 15, 21  
HEIGHT: 36

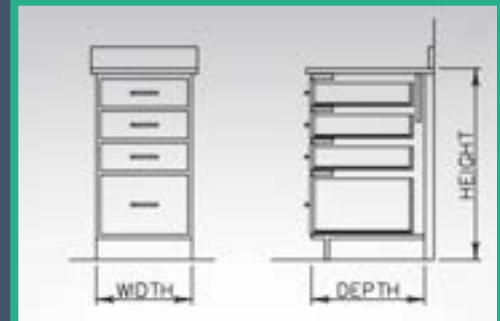




# Base Cabinets

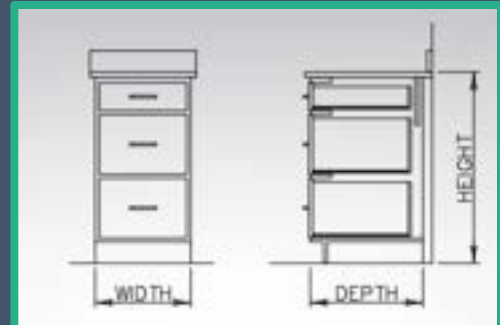
**'F' Style** Full height single file three drawer unit. Available with or without a pull board.

WIDTH: 12, 15, 18, 21, 24  
DEPTH: 15, 21  
HEIGHT: 30, 34, 36



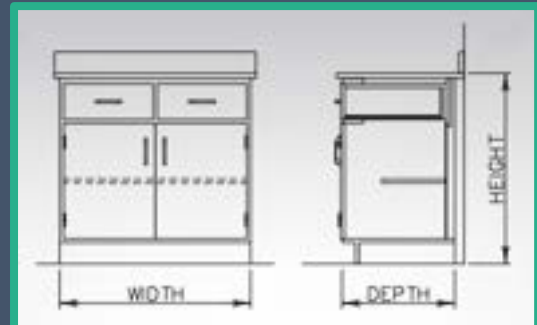
**'2F' Style** Full height two file one drawer unit. With or without a pull board.

WIDTH: 12, 15, 18, 21, 24  
DEPTH: 15, 21  
HEIGHT: 30, 34, 36



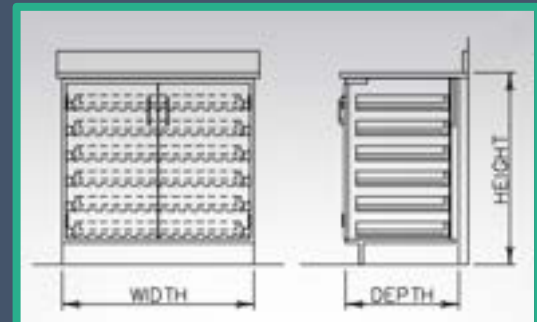
**'I' Style** Two drawer, two door base cabinet.

WIDTH: 27, 30, 33, 36, 39, 42, 45, 48  
DEPTH: 15, 21  
HEIGHT: 30, 34, 36



**'HP' Style** Provides two doors and six pull out shelves.

WIDTH: 27, 30, 33, 36, 39, 42, 45, 48  
DEPTH: 21, 29  
HEIGHT: 36

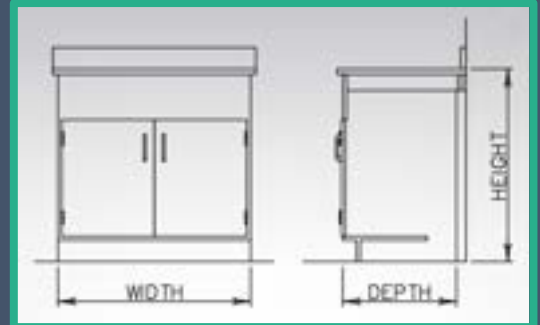




# Base Cabinets

**‘E’ Style** sink unit with front blank panel and double door space below. (Sink and faucet shown for illustration only.)

**WIDTH:** 27, 30, 33, 36, 39, 42, 45, 48  
**DEPTH:** 15, 21  
**HEIGHT:** 30, 34, 36



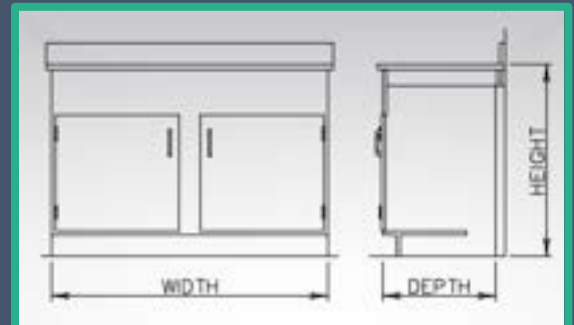
**‘E’ Style** sink unit with front blank panel and single door. Pull is on the left by default. Add an “R” to the name to place the pull on the right. (Sink and faucet shown for illustration only.)

**WIDTH:** 12, 15, 18, 21, 24  
**DEPTH:** 15, 21  
**HEIGHT:** 30, 34, 36



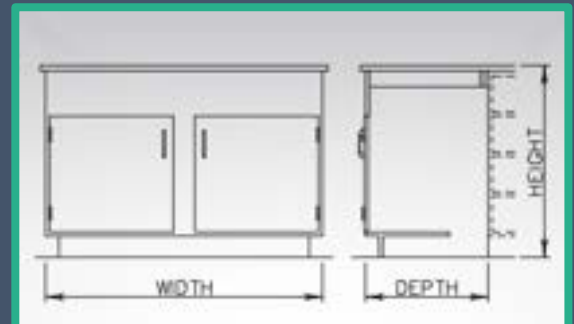
**‘E’ Style** oversize option for extra large sinks. It is provided with separated doors and a vertical panel for extra support.

**WIDTH:** 52, 58  
**DEPTH:** 15, 21  
**HEIGHT:** 30, 34, 36



**‘ES’ Style** sink unit oversized with wrap around toe kick for island tables.

**WIDTH:** 40, 46, 52, 58  
**DEPTH:** 15, 21  
**HEIGHT:** 30, 34, 36

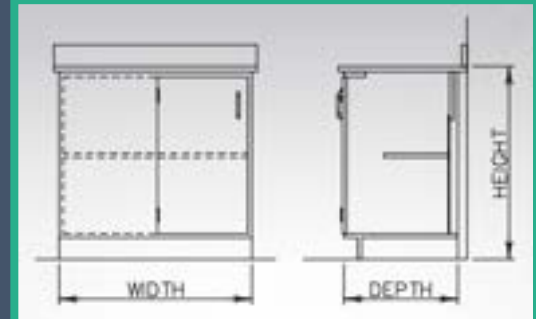




# Base Cabinets

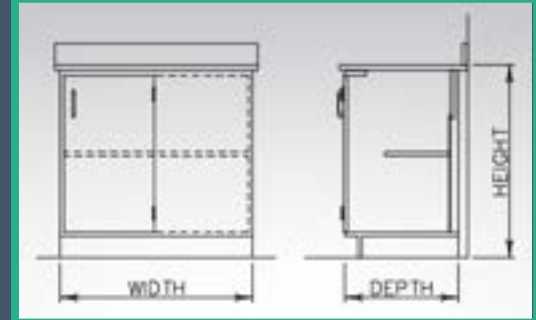
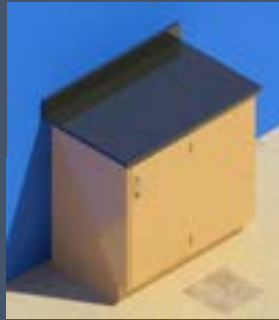
**'FL' Style** Single door, blind corner storage for left end of assembly.

WIDTH: 27, 30, 33, 36, 39, 42, 45, 48  
DEPTH: 15, 21  
HEIGHT: 30, 34, 36



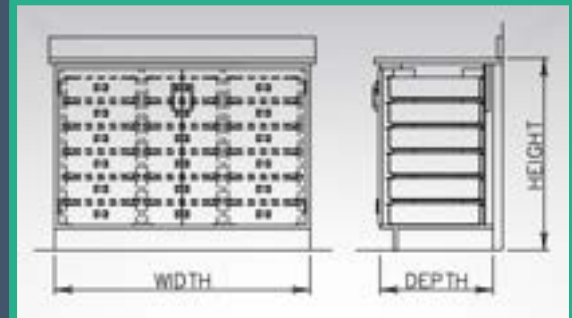
**'FR' Style** single door, blind corner storage for right end of assembly.

WIDTH: 27, 30, 33, 36, 39, 42, 45, 48  
DEPTH: 15, 21  
HEIGHT: 30, 34, 36



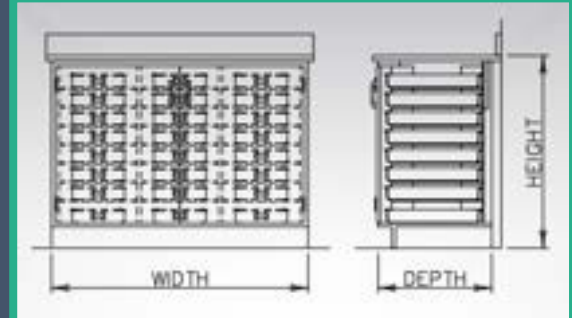
**'18HT' Style** Tote tray unit with 18 trays.  
Tray size 13 1/8"x16 5/8"x3 1/2".

WIDTH: 48  
DEPTH: 21  
HEIGHT: 36



**'24HT' Style** Tote tray unit with 24 trays.  
Tray size 10 1/2"x18" x2 1/2".

WIDTH: 48  
DEPTH: 21  
HEIGHT: 36

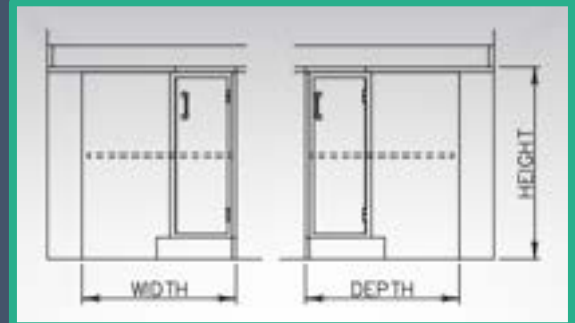




# Base Cabinets

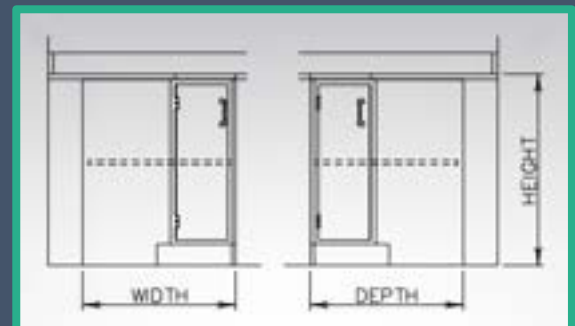
**'OB' Style** Angled corner unit with full height door and pull on the left.

WIDTH: 29  
DEPTH: 29  
HEIGHT: 30, 34, 36



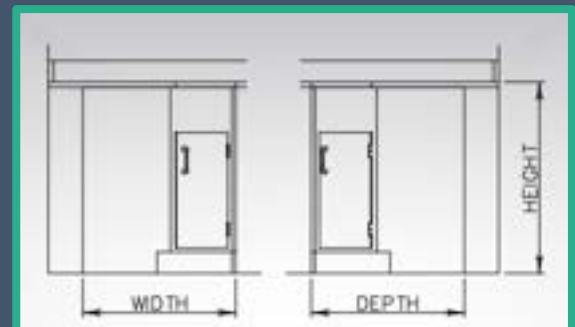
**'OBR' Style** Angled corner unit with full height door and pull on the right.

WIDTH: 29  
DEPTH: 29  
HEIGHT: 30, 34, 36



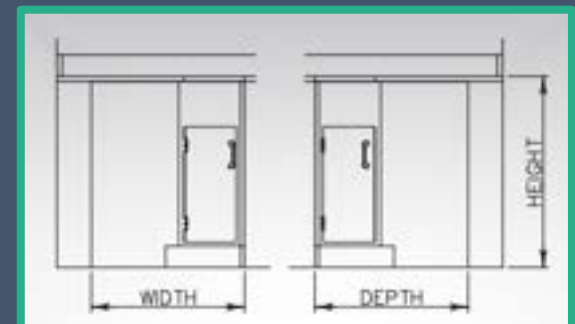
The **'OE' Style** Angled corner sink unit with front panel and pull on the left.

WIDTH: 29  
DEPTH: 29  
HEIGHT: 30, 34, 36



**'OER' Style** Angled corner sink unit with front panel and pull on the right.

WIDTH: 29  
DEPTH: 29  
HEIGHT: 30, 34, 36

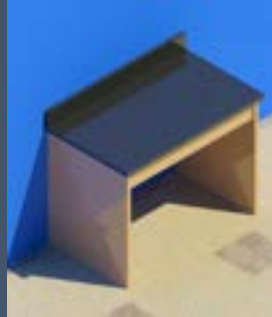




# Base Cabinets - Frames

**'P Frame' Style** Countertop support. A four-sided rail that binds to cabinets, walls and panel legs.

WIDTH: 30-72  
DEPTH: 24-30  
HEIGHT: 30, 34, 36



*Panel legs not included.*



**'P-HC' Style** ADA sink assembly knee space. *Sinks are shown for illustration only.*

WIDTH: 30-72  
DEPTH: 24-30  
HEIGHT: 30, 34

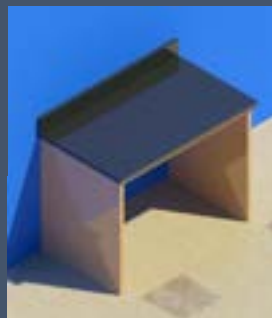


*Panel legs not included.*



**'PX Frame' Style** Countertop support With extra height clearance for ADA applications.

WIDTH: 30-72  
DEPTH: 24-30  
HEIGHT: 30, 34



*Panel legs not included.*



**'Q Frame' Style** Countertop support with a single drawer in the frame.

WIDTH: 21-39  
DEPTH: 24-30  
HEIGHT: 30, 34, 36



*Panel legs not included.*

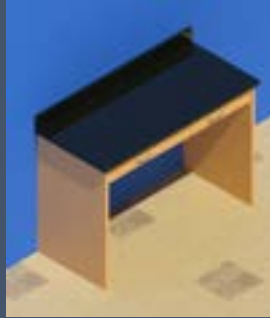




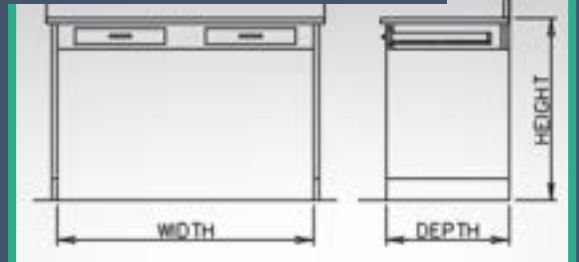
# Base Cabinets - Frames

**'Q Frame' Style** countertop support with two drawers in the frame.

WIDTH: 42-72  
DEPTH: 24-30  
HEIGHT: 30, 34, 36



*Panel legs not included.*



**'R Frame' Style** countertop support with a single book box in the frame.

WIDTH: 21-39  
DEPTH: 24-30  
HEIGHT: 30, 34, 36



*Panel legs not included.*



**'R Frame' Style** countertop support with two book boxes in the frame.

WIDTH: 42-72  
DEPTH: 24-30  
HEIGHT: 30, 34, 36



*Panel legs not included.*





# Base Cabinets – Misc.

**Fillers, Panel Legs** and **Closure Panels** are vital components to almost every job we produce. They ensure a clean, attractive and functional project.

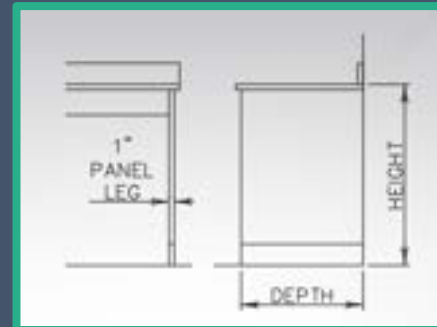
**End Fillers** are 3/4" thick and are provided to close the assembly at the wall.



**Corner Fillers** are provided to close the assembly where two cabinets meet in the corner. LPCo recommends a minimum 2 1/2" x 2 1/2" corner filler to avoid obstruction between adjacent pulls and hinges.



**Panel Legs** are 1" thick and are provided at the depth of the assembly to support the countertop.



## Chase/Closure Panels

are provided to hide excessive obstructions such as pipes, columns, etc. They can be provided as removable for plumbing access.



LEONARD PETERSON & COMPANY, INC.

P.O. BOX 2277, AUBURN, ALABAMA 36831-2277

334-821-6832 [www.lpco.com](http://www.lpco.com)

1.15



# Wall Cases

- Standard modular hanging wall cases are designed to satisfy a wide range of storage requirements. Several length, height and depth cases, with a variety of door selections available. Refer to the table below for more detailed information regarding the wall case descriptions. Doors are furnished without locks. Locks can be furnished where required, when so specified.
- Adjustable shelves are provided for hanging wall cases. Hanging wall cases can be furnished open or with doors. Commonly used doors are Hinged Wood, Sliding Wood, Hinged Glazed, Sliding Glazed or Sliding Glass. Specialty cases are available for unique situations.

## Wall Case WIDTHS are available as follows:

Single door units - 12", 15", 18", 21", 24"

Double door units - 27", 30", 33", 36", 39", 42", 45", 48"

Open shelving - 12" through 48"

## Wall Case DEPTHS are available as follows:

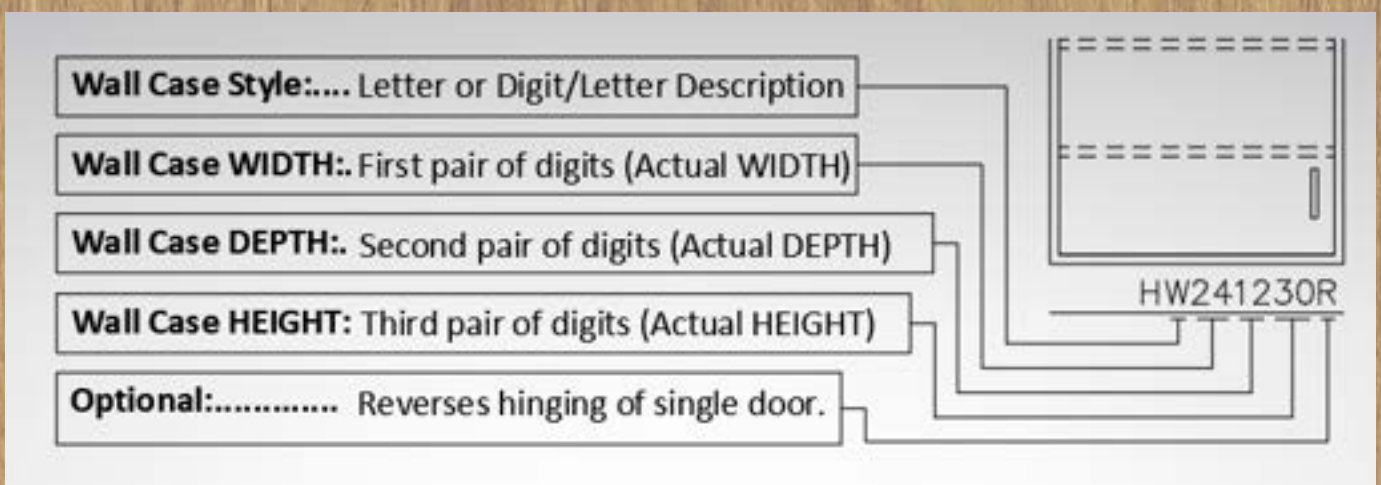
12", 16"

## Wall Case HEIGHTS are available as follows:

18", 24", 30", 36", 42", 48"

Cases at 48" high are typically counter mounted.

*All sizes listed are Leonard Peterson standard. If special sizes are required contact a Leonard Peterson representative.*



LEONARD PETERSON & COMPANY, INC.

P.O. BOX 2277, AUBURN, ALABAMA 36831-2277

334-821-6832 [www.lpco.com](http://www.lpco.com)



# Wall Cases



Standard Hanging Wall Cases require secure blocking in the wall 2"-3" beneath the overall height (above finished floor) of the case.





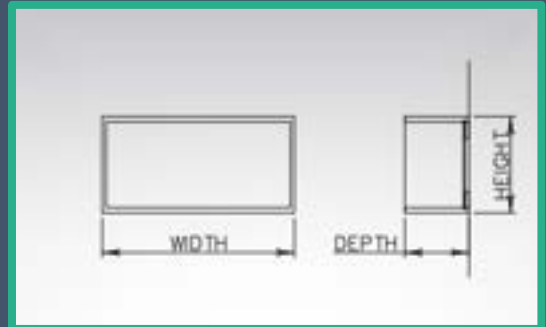
# Wall Cases

## 'OH' Style

The standard "open" wall case unit. Shelf quantity is determined by case height.

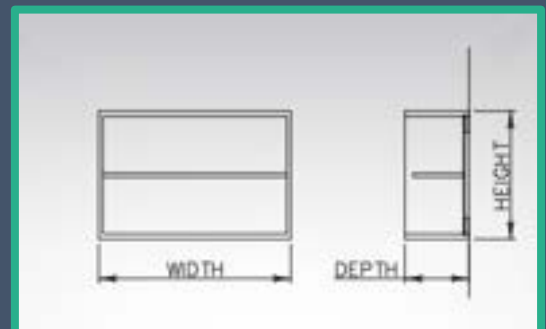
### No Shelf

**WIDTH:** 12, 15, 18, 21, 24, 27, 30, 33, 36, 39, 42, 45, 48  
**DEPTH:** 12, 16  
**HEIGHT:** 18



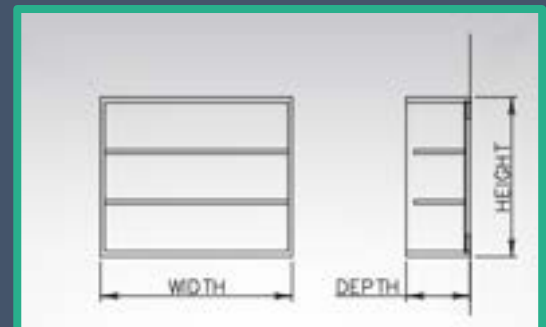
### 1 Adjustable Shelf

**WIDTH:** 12, 15, 18, 21, 24, 27, 30, 33, 36, 39, 42, 45, 48  
**DEPTH:** 12, 16  
**HEIGHT:** 24



### 2 Adjustable Shelves

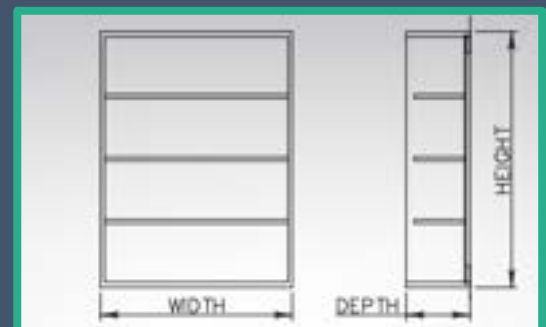
**WIDTH:** 12, 15, 18, 21, 24, 27, 30, 33, 36, 39, 42, 45, 48  
**DEPTH:** 12, 16  
**HEIGHT:** 30, 36



### 3 Adj. Shelves

*Counter mounted or wall hung.*

**WIDTH:** 12, 15, 18, 21, 24, 27, 30, 33, 36, 39, 42, 45, 48  
**DEPTH:** 12, 16  
**HEIGHT:** 42, 48



# Wall Cases

## 'HW' Style

Hinged wood door wall case unit. Shelf quantity is determined by case height. For single door units the pull is on the left by default. Place "R" at the end of the model number to have the pull on the right.

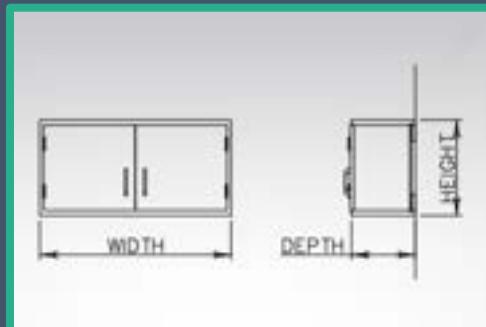
### No Shelf

**WIDTH:**

Single Doors: 12, 15, 18, 21, 24  
Double Doors: 27, 30, 33, 36,  
39, 42, 45, 48

**DEPTH:** 12, 16

**HEIGHT:** 18



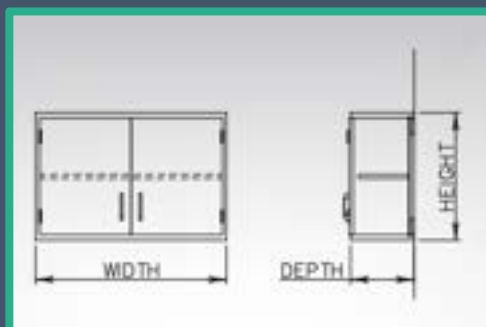
### 1 Adj. Shelf

**WIDTH:**

Single Doors: 12, 15, 18, 21, 24  
Double Doors: 27, 30, 33, 36,  
39, 42, 45, 48

**DEPTH:** 12, 16

**HEIGHT:** 24



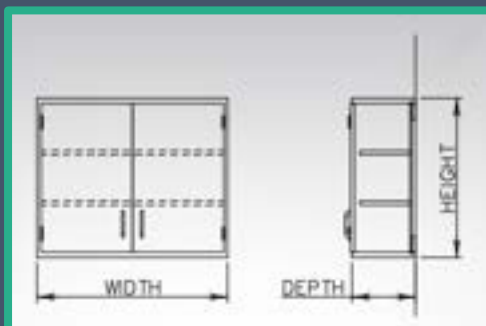
### 2 Adj. Shelves

**WIDTH:**

Single Doors: 12, 15, 18, 21, 24  
Double Doors: 27, 30, 33, 36,  
39, 42, 45, 48

**DEPTH:** 12, 16

**HEIGHT:** 30, 36



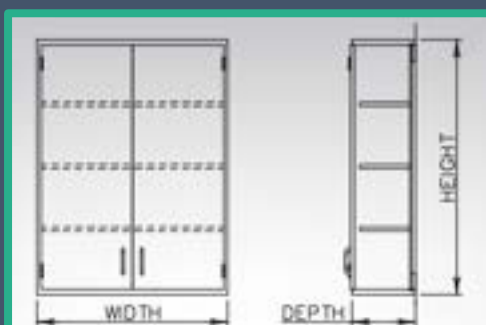
### 3 Adj. Shelves

*Counter mt. or wall hung.*

**WIDTH:**

Single Doors: 12, 15, 18, 21, 24  
Double Doors: 27, 30, 33, 36,  
39, 42, 45, 48

**DEPTH:** 12, 16 **HEIGHT:** 42, 48



LEONARD PETERSON & COMPANY, INC.

P.O. BOX 2277, AUBURN, ALABAMA 36831-2277

334-821-6832 [www.lpc.com](http://www.lpc.com)



# Wall Cases

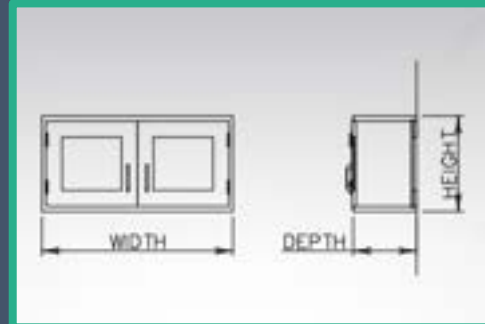
## 'HG' Style

Hinged, wood-framed, glazed door wall case unit. Shelf quantity is determined by case height. For single door units the pull is on the left by default. Place "R" at the end of the model number to have the pull on the right.

### No Shelf

**WIDTH:**

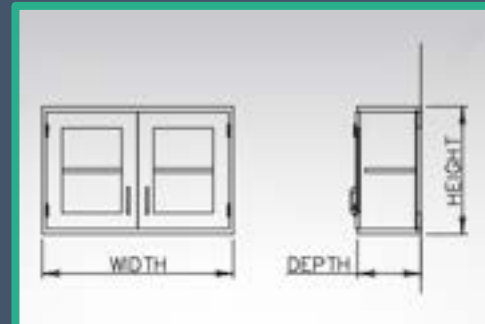
Single Doors: 12, 15, 18, 21, 24  
Double Doors: 27, 30, 33, 36,  
39, 42, 45, 48

**DEPTH:** 12, 16**HEIGHT:** 18

### 1 Adj. Shelf

**WIDTH:**

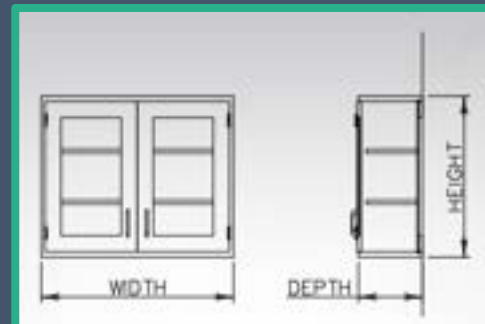
Single Doors: 12, 15, 18, 21, 24  
Double Doors: 27, 30, 33, 36,  
39, 42, 45, 48

**DEPTH:** 12, 16**HEIGHT:** 24

### 2 Adj. Shelves

**WIDTH:**

Single Doors: 12, 15, 18, 21, 24  
Double Doors: 27, 30, 33, 36,  
39, 42, 45, 48

**DEPTH:** 12, 16**HEIGHT:** 30, 36

### 3 Adj. Shelves

*Counter mt. or wall hung.*

**WIDTH:**

Single Doors: 12, 15, 18, 21, 24  
Double Doors: 27, 30, 33, 36,  
39, 42, 45, 48

**DEPTH:** 12, 16 **HEIGHT:** 42, 48

LEONARD PETERSON & COMPANY, INC.

P.O. BOX 2277, AUBURN, ALABAMA 36831-2277

334-821-6832 [www.lpco.com](http://www.lpco.com)

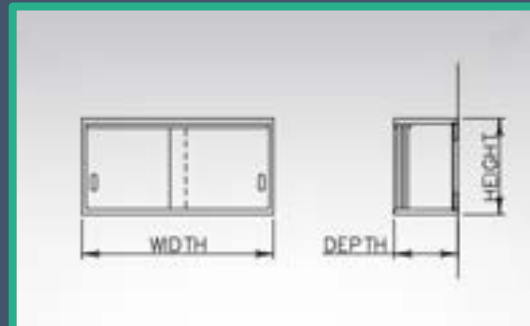
# Wall Cases

## 'SW' Style

Sliding wood door wall case unit. Shelf quantity is determined by case height.

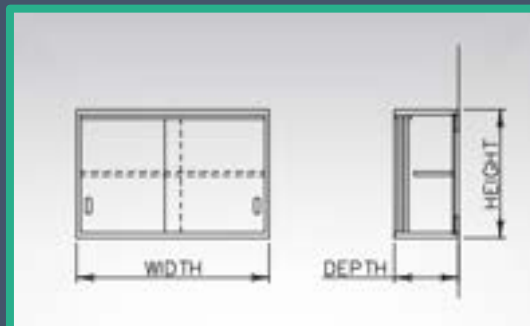
### No Shelf

WIDTH: 27, 30, 33, 36, 39, 42, 45, 48  
DEPTH: 12, 16  
HEIGHT: 18



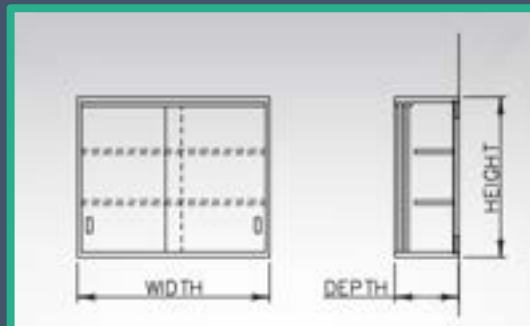
### 1 Adjustable Shelf

WIDTH: 27, 30, 33, 36, 39, 42, 45, 48  
DEPTH: 12, 16  
HEIGHT: 24



### 2 Adjustable Shelves

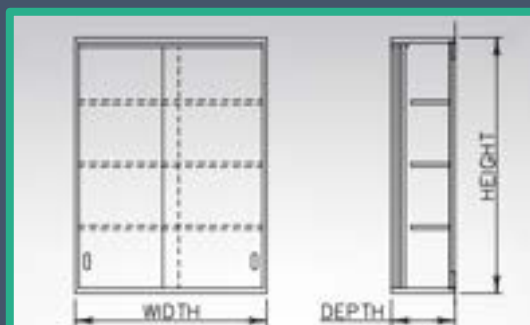
WIDTH: 27, 30, 33, 36, 39, 42, 45, 48  
DEPTH: 12, 16  
HEIGHT: 30, 36



### 3 Adj. Shelves

*Counter mounted or wall hung.*

WIDTH: 27, 30, 33, 36, 39, 42, 45, 48  
DEPTH: 12, 16  
HEIGHT: 42, 48





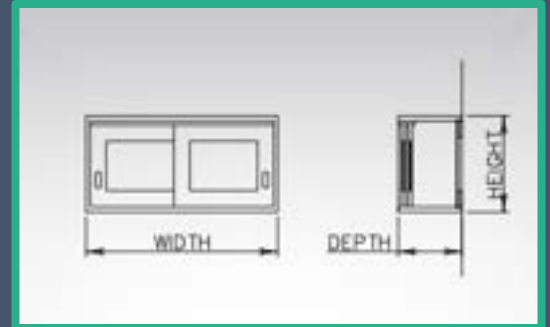
# Wall Cases

## 'SG' Style

Sliding, wood-framed, glazed door wall case unit. Shelf quantity is determined by case height.

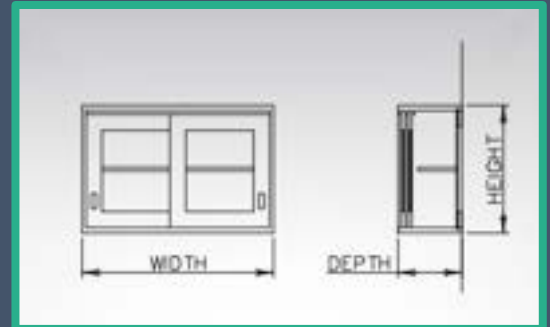
### No Shelf

WIDTH: 27, 30, 33, 36, 39, 42, 45, 48  
DEPTH: 12, 16  
HEIGHT: 18



### 1 Adjustable Shelf

WIDTH: 27, 30, 33, 36, 39, 42, 45, 48  
DEPTH: 12, 16  
HEIGHT: 24



### 2 Adjustable Shelves

WIDTH: 27, 30, 33, 36, 39, 42, 45, 48  
DEPTH: 12, 16  
HEIGHT: 30, 36



### 3 Adj. Shelves

*Counter mounted or wall hung.*

WIDTH: 27, 30, 33, 36, 39, 42, 45, 48  
DEPTH: 12, 16  
HEIGHT: 42, 48



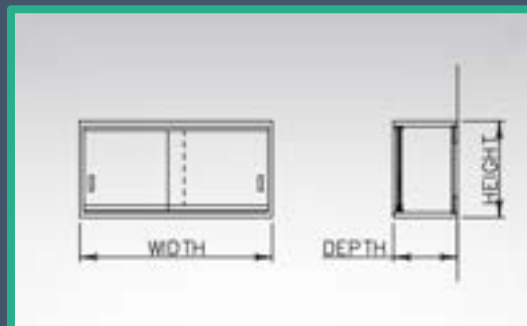
# Wall Cases

## 'GS' Style

Glass, sliding door wall case unit. Shelf quantity is determined by case height.

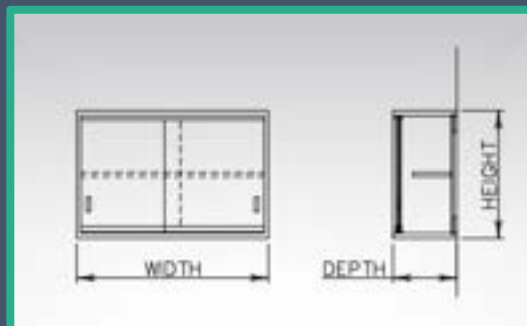
### No Shelf

WIDTH: 27, 30, 33, 36, 39, 42, 45, 48  
DEPTH: 12, 16  
HEIGHT: 18



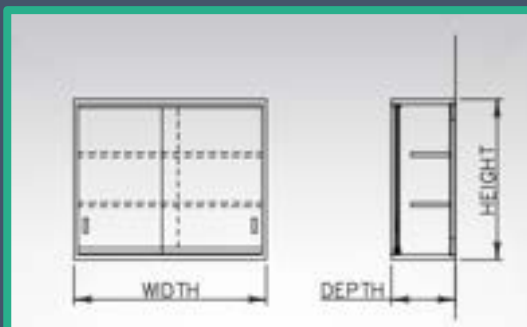
### 1 Adjustable Shelf

WIDTH: 27, 30, 33, 36, 39, 42, 45, 48  
DEPTH: 12, 16  
HEIGHT: 24



### 2 Adjustable Shelves

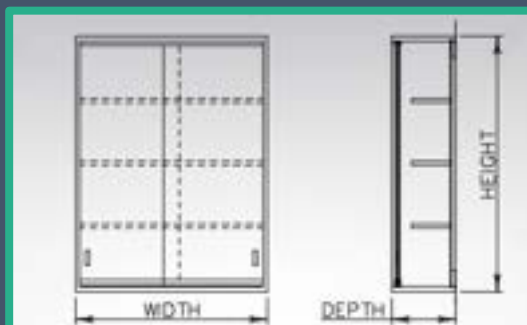
WIDTH: 27, 30, 33, 36, 39, 42, 45, 48  
DEPTH: 12, 16  
HEIGHT: 30, 36



### 3 Adj. Shelves

*Counter mounted or wall hung.*

WIDTH: 27, 30, 33, 36, 39, 42, 45, 48  
DEPTH: 12, 16  
HEIGHT: 42, 48





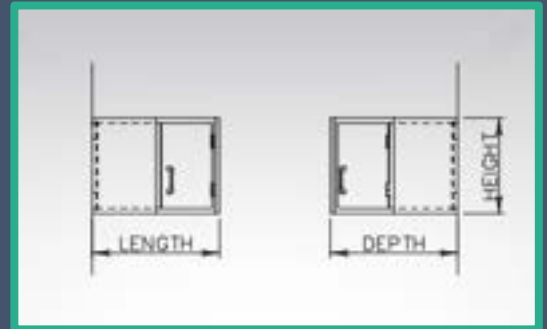
# Wall Cases

## 'WWC' Style

Solid wood door corner wall case unit. Shelf quantity is determined by case height. Place "R" at the end of the model number to have the pull on the right.

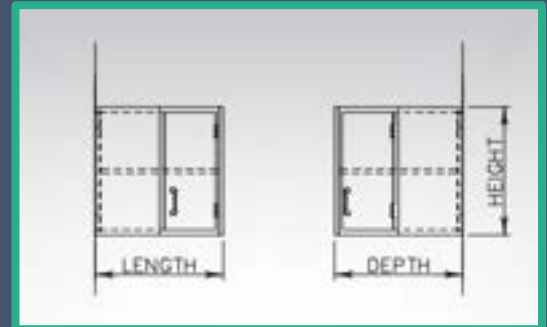
### No Shelf

WIDTH: 24, 28  
DEPTH: 24, 28  
HEIGHT: 18



### 1 Adjustable Shelf

WIDTH: 24, 28  
DEPTH: 24, 28  
HEIGHT: 24



### 2 Adjustable Shelves

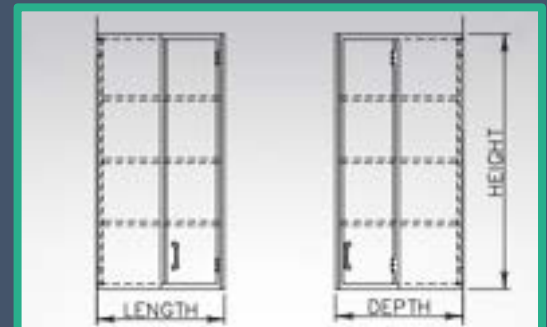
WIDTH: 24, 28  
DEPTH: 24, 28  
HEIGHT: 30, 36



### 3 Adj. Shelves

*Counter mounted or wall hung.*

WIDTH: 24, 28  
DEPTH: 24, 28  
HEIGHT: 42, 48



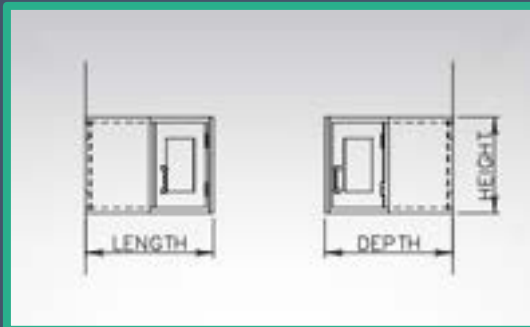
# Wall Cases

## 'WGC' Style

Hinged wood, glazed door corner wall case unit. Shelf quantity is determined by case height. Place "R" at the end of the model number to have the pull on the right.

### No Shelf

WIDTH: 24, 28  
DEPTH: 24, 28  
HEIGHT: 18



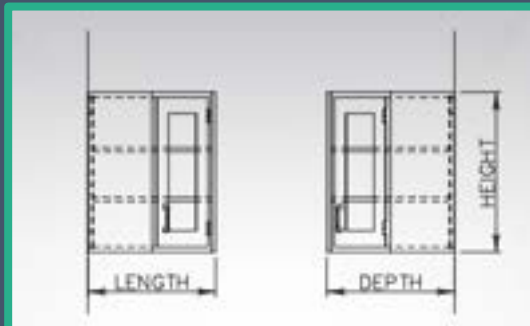
### 1 Adjustable Shelf

WIDTH: 24, 28  
DEPTH: 24, 28  
HEIGHT: 24



### 2 Adjustable Shelves

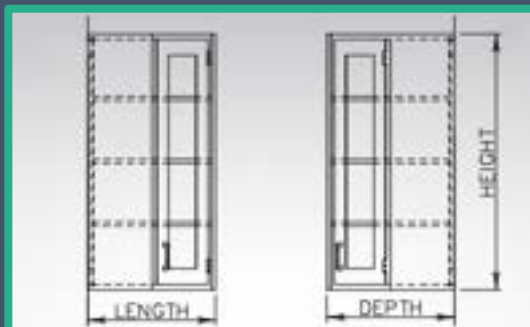
WIDTH: 24, 28  
DEPTH: 24, 28  
HEIGHT: 30, 36



### 3 Adj. Shelves

*Counter mounted or wall hung.*

WIDTH: 24, 28  
DEPTH: 24, 28  
HEIGHT: 42, 48





# Tall Cases

- Tall Cases are designed without recessed toe spaces to minimize the hazard of tipping. Case depths of 12, 16 and 23 inches permit efficient utilization of available floor space to maximize storage capabilities. 1" thick adjustable shelves facilitate storage load capabilities. It is recommended that 12" deep cases be furnished without doors.
- All tall storage cases should be secured to the wall.
- Specialty cases shown and described in the following pages offer a wide selection of storage variations to satisfy specific requirements needed by differing fields in education and industry.
- Cases shown in this catalog are intended to represent the most commonly used units. Additional configurations and designs are available based upon specific requirements.

## Tall Case WIDTHS are available as follows:

Single door units - 12", 15", 18", 21", 24"

Double door units - 27", 30", 33", 36", 39", 42", 45", 48"

Open shelving - 12" through 48"

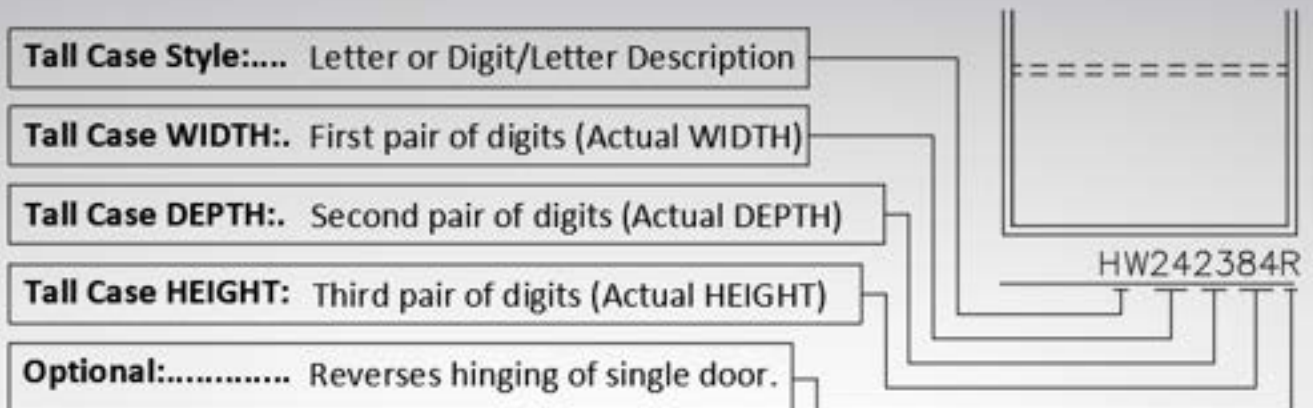
## Tall Case DEPTHS are available as follows:

12", 16", 23"

## Tall Case HEIGHTS are available as follows:

84"

*All sizes listed are Leonard Peterson standard. If special sizes are required contact a Leonard Peterson representative.*



*Some Tall Cases are specialized, are only available in a few sizes and therefore have specialized individual numbering.*

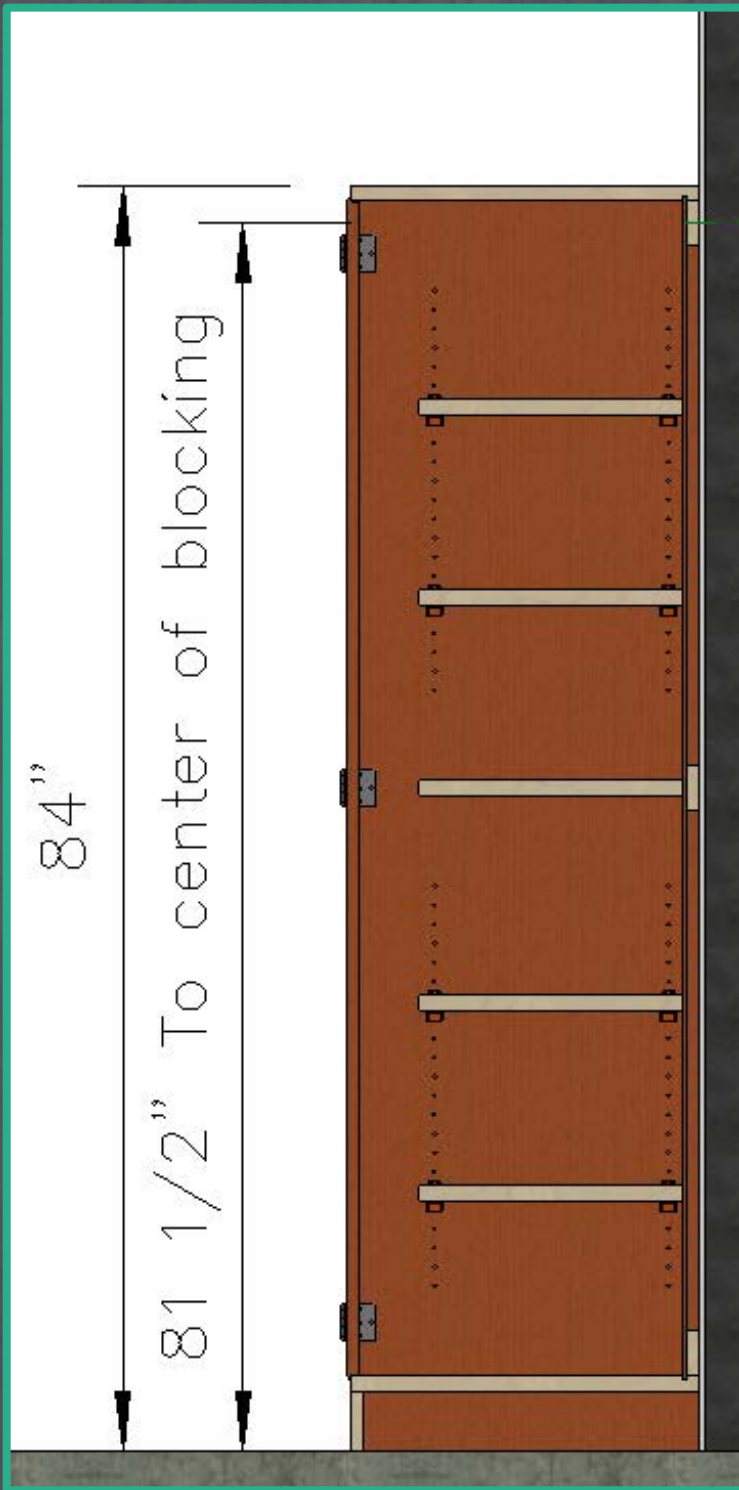


LEONARD PETERSON & COMPANY, INC.

P.O. BOX 2277, AUBURN, ALABAMA 36831-2277

334-821-6832 [www.lpco.com](http://www.lpco.com)

# Tall Cases



Tall Cases require secure blocking in the wall 2"-3" beneath the overall height (above finished floor) of the case.

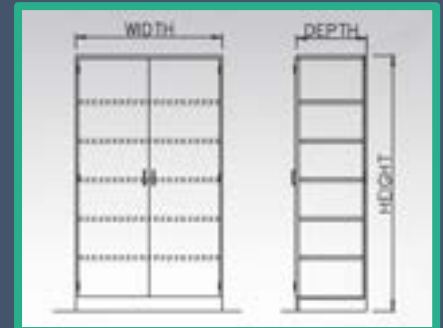




# Tall Cases

**‘HW’ Style** Wood double door tall case unit. Provided with 4 adjustable shelves and 1 fixed center shelf.

WIDTH: 27, 30, 33, 36, 39, 42, 45, 48  
DEPTH: 12, 16, 23  
HEIGHT: 84



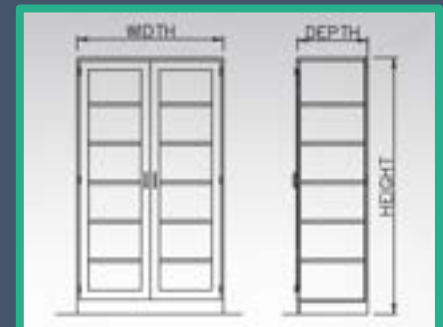
**‘HW’ Style** Wood single door tall case unit. The pull is on the left by default. Add an “R” to the cabinet name to place the pull on the right.

WIDTH: 12, 15, 18, 21, 24  
DEPTH: 12, 16, 23  
HEIGHT: 84



**‘HG’ Style** Hinged, wood glazed double door tall case unit. Provided with 4 adjustable shelves and 1 fixed center shelf.

WIDTH: 27, 30, 33, 36, 39, 42, 45, 48  
DEPTH: 12, 16, 23  
HEIGHT: 84



**‘HG’ Style** Hinged, wood glazed single door tall case unit. The pull is on the left by default. Add an “R” to the cabinet name to place the pull on the right.

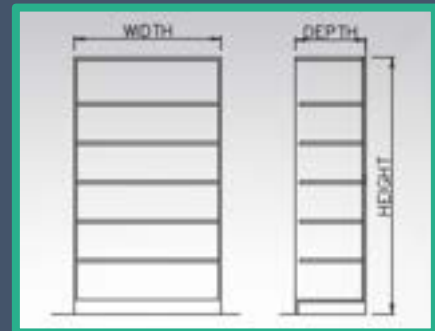
WIDTH: 12, 15, 18, 21, 24  
DEPTH: 12, 16, 23  
HEIGHT: 84



# Tall Cases

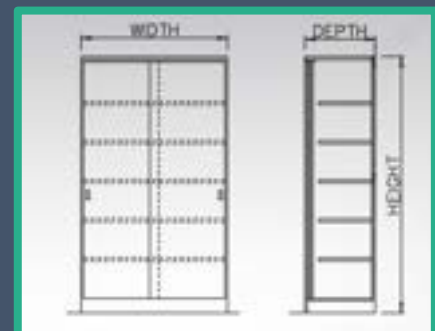
**'OS' Style** Open tall case unit. Provided with 4 adjustable shelves and 1 fixed center shelf.

**WIDTH:** 12, 15, 18, 21, 24, 27, 30, 33, 36, 39, 42, 45, 48  
**DEPTH:** 12, 16, 23  
**HEIGHT:** 84



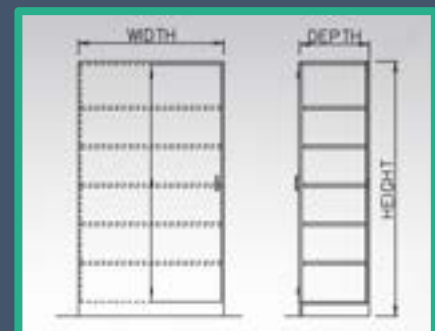
**'SW' Style** Sliding wood door tall case unit. Provided with 4 adjustable shelves and 1 fixed center shelf.

**WIDTH:** 27, 30, 33, 36, 39, 42, 45, 48  
**DEPTH:** 12, 16, 23  
**HEIGHT:** 84



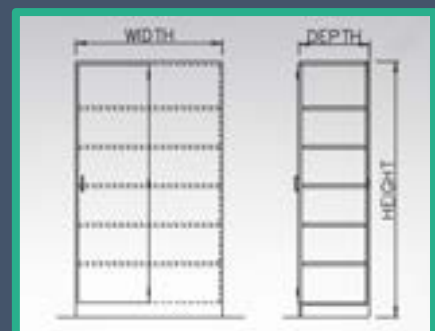
**'BL' Style** Tall blind corner storage for the left end of a cabinet assembly.

**WIDTH:** 27, 30, 33, 36, 39, 42, 45, 48  
**DEPTH:** 12, 16, 23  
**HEIGHT:** 84



**'BR' Style** Tall blind corner storage for the right end of a cabinet assembly.

**WIDTH:** 27, 30, 33, 36, 39, 42, 45, 48  
**DEPTH:** 12, 16, 23  
**HEIGHT:** 84

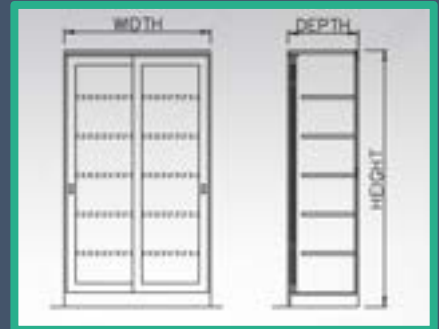




# Tall Cases

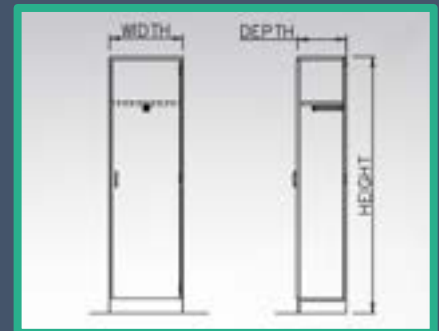
**'SG' Style** Sliding, wood framed, glazed door wall case unit.

WIDTH: 27, 30, 33, 36, 39, 42, 45, 48  
DEPTH: 12, 16, 23  
HEIGHT: 84



**'B-1450' Style** Wardrobe case.  
For 23" deep add the suffix "-D".

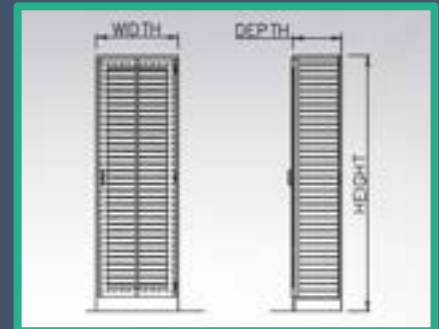
WIDTH: 24  
DEPTH: 16, 23  
HEIGHT: 84



## 'B-1452' Style

Notebook case.

WIDTH: 24  
DEPTH: 16  
HEIGHT: 84



**'B-1453' Style** Skeleton case.  
For 23" deep add the suffix "-D".

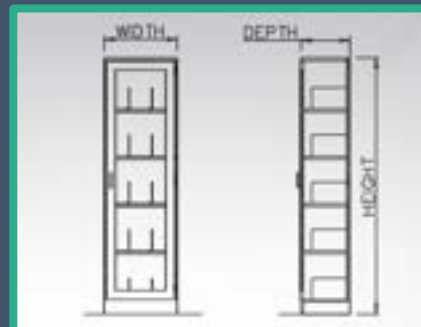
WIDTH: 24  
DEPTH: 16, 23  
HEIGHT: 84



# Tall Cases

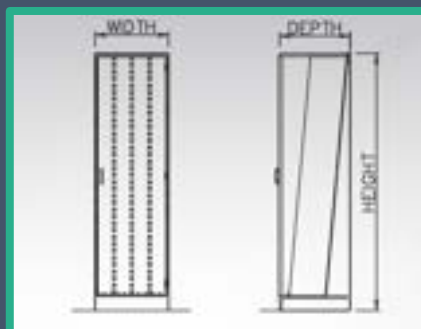
**'B-1454' Style** Microscope case.  
For 23" deep add the suffix "-D".  
Will hold 15 microscopes.

WIDTH: 24  
DEPTH: 16, 23  
HEIGHT: 84



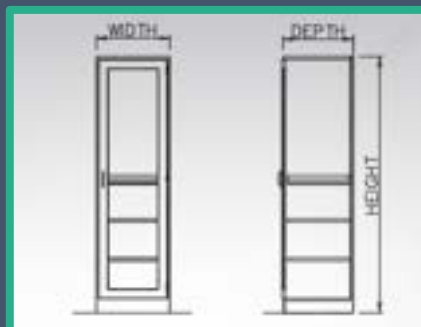
**'B-1455' Style** Glass Tubing case.

WIDTH: 24  
DEPTH: 23  
HEIGHT: 84



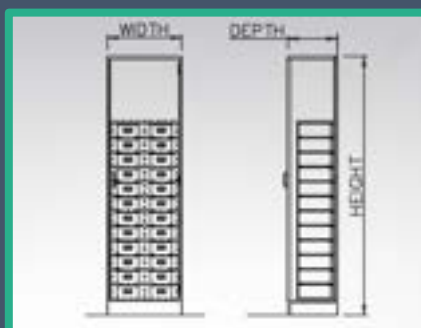
**'B-1456' Style** Torso case.  
For 23" deep add the suffix "-D".

WIDTH: 24  
DEPTH: 16, 23  
HEIGHT: 84



**'B-1457' Style** Tote Tray case.  
For 23" deep add the suffix "-D".  
Provided with 24 trays. Tray size  
7 3/4" x 11 1/2" x 4 1/2".

WIDTH: 24  
DEPTH: 16, 23  
HEIGHT: 84



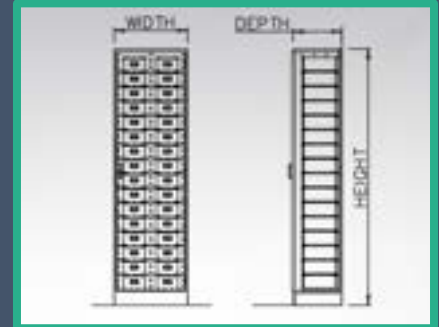


# Tall Cases

## 'B-1458' Style Tote Tray case.

For 23" deep add the suffix "-D".  
 Provided with 32 trays. Tray size  
 $7\frac{3}{4} \times 11\frac{1}{2} \times 4\frac{1}{2}$ ".

WIDTH: 24  
 DEPTH: 16, 23  
 HEIGHT: 84



## Teachers Wardrobe case.

### 'B-1483'

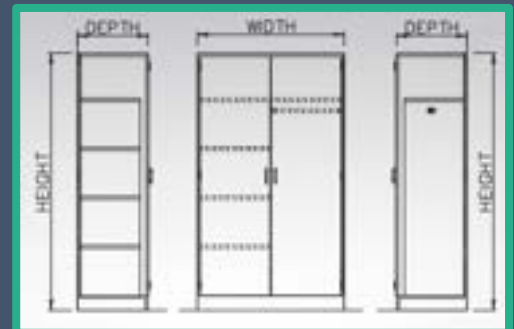
WIDTH: 36  
 DEPTH: 23  
 HEIGHT: 84

### 'B-1484'

WIDTH: 42  
 DEPTH: 23  
 HEIGHT: 84

### 'B-1485'

WIDTH: 48  
 DEPTH: 23  
 HEIGHT: 84



## Teachers Wardrobe case with file drawers.

### 'B-1486'

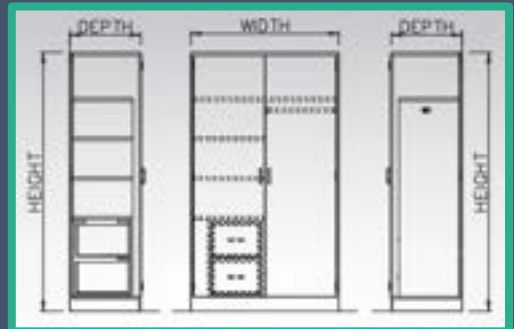
WIDTH: 42  
 DEPTH: 23  
 HEIGHT: 84

### 'B-1487'

WIDTH: 42  
 DEPTH: 23  
 HEIGHT: 84

### 'B-1488'

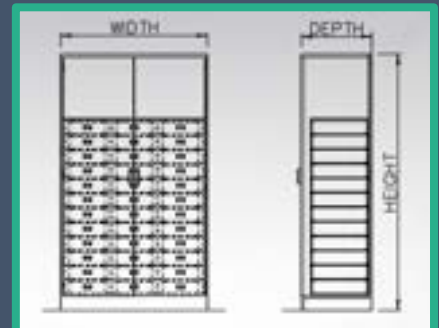
WIDTH: 48  
 DEPTH: 23  
 HEIGHT: 84



## 'B-1490' Style Tote Tray case.

Provided with 36 trays. Tray size  
 $12\frac{1}{2} \times 19 \times 3\frac{1}{2}$ ".

WIDTH: 48  
 DEPTH: 23  
 HEIGHT: 84



LEONARD PETERSON & COMPANY, INC.

P.O. BOX 2277, AUBURN, ALABAMA 36831-2277

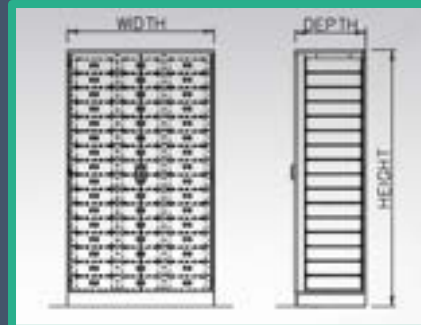
334-821-6832 [www.lpcoco.com](http://www.lpcoco.com)

# Tall Cases

## 'B-1491' Style Tote Tray case.

Provided with 48 trays. Tray size 12 1/2"x19" x3 1/2".

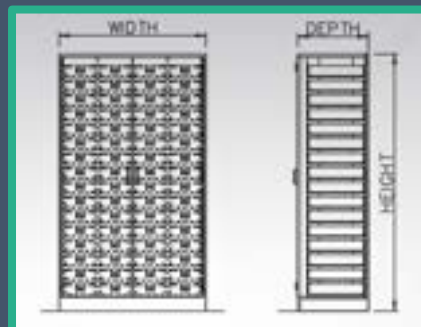
WIDTH: 48  
DEPTH: 23  
HEIGHT: 84



## 'B-1492' Style Tote Tray case.

Provided with 64 trays. Tray size 7 3/4"x11 1/2" x4 1/2".

WIDTH: 48  
DEPTH: 23  
HEIGHT: 84



## Microscope case.

### 'B-1855'

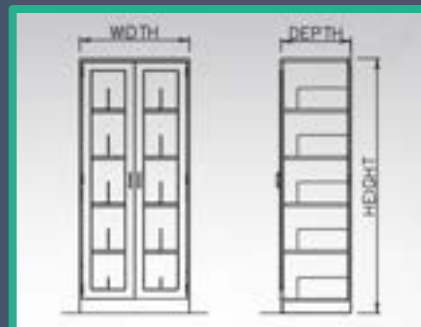
20 spaces.

WIDTH: 36  
DEPTH: 23  
HEIGHT: 84

### 'B-1856'

25 spaces.

WIDTH: 48  
DEPTH: 23  
HEIGHT: 84





# Tall Cases

**Fillers** and **Closure Panels** are vital components to almost every job we produce. They are provided to ensure a clean, attractive and functional project.



**Fillers** are  $\frac{3}{4}$ " thick and are provided to close the assembly at the wall and corners. Fillers can be provided with top end and top corner enclosure panels.

**Closure Panels** are provided to hide excessive obstructions such as pipes, columns, etc. They can be provided as removable for plumbing access.



LEONARD PETERSON & COMPANY, INC.

P.O. BOX 2277, AUBURN, ALABAMA 36831-2277

334-821-6832 [www.lpco.com](http://www.lpco.com)

# Student Tables

- Tables shown on the following pages have exposed frame parts and legs made of solid hardwood lumber (oak or maple, respectively). Table apron corner blocks, for attachment of legs, are of 13 gauge steel and are grooved into back side of apron frames and secured with screws. 2 ¼" legs attach to corner blocks with specially designed 3/8" bolt having head conforming to table leg rounding. Bolt passes completely through leg and attaches to back side of corner block with washer and nut.
- Four-legged tables are provided with adjustable glides to allow for ease of movement for changes in table arrangement. It is recommended that tables having six (6) or more legs be attached to floor and are, thus, provided with leg shoes to conceal attachment clips.
- Tables with services are typically provided with a service chase or cabinetry beneath.
- Tables furnished with black resin countertops, but other materials are available if required.

*All sizes listed are Leonard Peterson standard. If special sizes are required contact a Leonard Peterson representative.*



LEONARD PETERSON & COMPANY, INC.

P.O. BOX 2277, AUBURN, ALABAMA 36831-2277

334-821-6832 [www.lpc.com](http://www.lpc.com)

4.1



# Student Tables - Movable

## Plain Apron Student Table

Tables provided with;

Solid Oak/Maple 2 ¼" x 2 ¼" square legs.

30" tall (sitting height) standard.

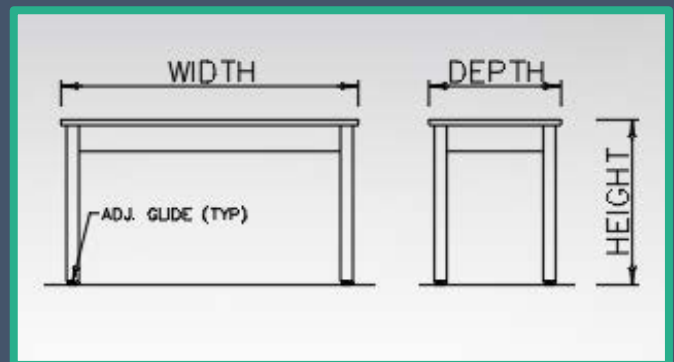
34" tall (ADA height) when noted with "-HC".

36" tall (standing height) when noted with "-36".

Adjustable glides or leg shoes.



See page 7.1 for available countertop material.



Single Faced	Width	Depth	Height
B-2958	48"	24"	30"
B-2959	48"	30"	30"
B-2960	54"	24"	30"
B-2961	54"	30"	30"
B-2962	60"	24"	30"
B-2963	60"	30"	30"
B-2964	72"	24"	30"
B-2965	72"	30"	30"

Double Faced	Width	Depth	Height
B-2968	48"	42"	30"
B-2969	48"	48"	30"
B-2970	54"	42"	30"
B-2971	54"	48"	30"
B-2972	60"	42"	30"
B-2973	60"	48"	30"
B-2974	72"	42"	30"
B-2975	72"	48"	30"



LEONARD PETERSON & COMPANY, INC.

P.O. BOX 2277, AUBURN, ALABAMA 36831-2277

334-821-6832 [www.lpco.com](http://www.lpco.com)

# Student Tables - Movable

## Student Tables with Two Drawers

Tables provided with;

Solid Oak/Maple 2 ¼" x 2 ¼" square legs.

30" tall (sitting height) standard.

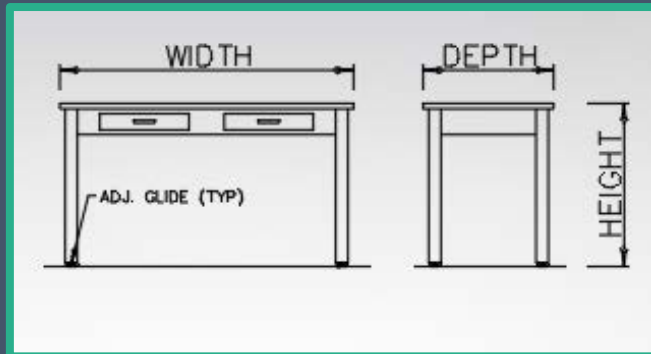
34" tall (ADA height) when noted with "-HC".

36" tall (standing height) when noted with "-36".

Adjustable glides or leg shoes.



See page 7.1 for available countertop material.



Single Faced	Width	Depth	Height
B-2918	48"	24"	30"
B-2919	48"	30"	30"
B-2920	54"	24"	30"
B-2921	54"	30"	30"
B-2922	60"	24"	30"
B-2923	60"	30"	30"
B-2924	72"	24"	30"
B-2925	72"	30"	30"

Double Faced	Width	Depth	Height
B-2928	48"	42"	30"
B-2929	48"	48"	30"
B-2930	54"	42"	30"
B-2931	54"	48"	30"
B-2932	60"	42"	30"
B-2933	60"	48"	30"
B-2934	72"	42"	30"
B-2935	72"	48"	30"



LEONARD PETERSON & COMPANY, INC.

P.O. BOX 2277, AUBURN, ALABAMA 36831-2277

334-821-6832 [www.lpco.com](http://www.lpco.com)



# Student Tables - Movable

## Student Tables with Book Boxes

Tables provided with;

Solid Oak/Maple 2 ¼" x 2 ¼" square legs.

30" tall (sitting height) standard.

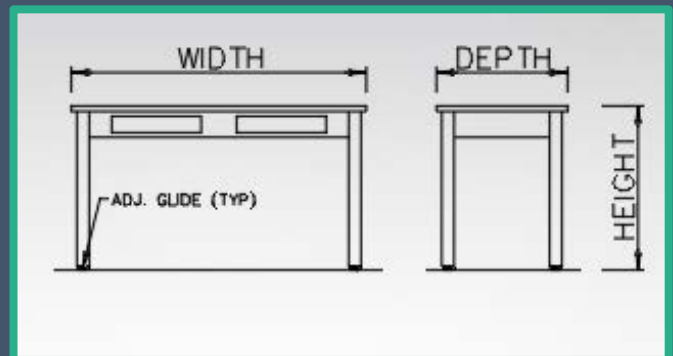
34" tall (ADA height) when noted with "-HC".

36" tall (standing height) when noted with "-36".

Adjustable glides or leg shoes.



See page 7.1 for available countertop material.



Single Faced	Width	Depth	Height
B-2938	48"	24"	30"
B-2939	48"	30"	30"
B-2940	54"	24"	30"
B-2941	54"	30"	30"
B-2942	60"	24"	30"
B-2943	60"	30"	30"
B-2944	72"	24"	30"
B-2945	72"	30"	30"

Double Faced	Width	Depth	Height
B-2948	48"	42"	30"
B-2949	48"	48"	30"
B-2950	54"	42"	30"
B-2951	54"	48"	30"
B-2952	60"	42"	30"
B-2953	60"	48"	30"
B-2954	72"	42"	30"
B-2955	72"	48"	30"



LEONARD PETERSON & COMPANY, INC.

P.O. BOX 2277, AUBURN, ALABAMA 36831-2277

334-821-6832 [www.lpc.com](http://www.lpc.com)

# Student Tables - Movable

## Plain Apron Student Table with Casters.

Tables provided with;

Solid Oak/Maple 2 ¼" x 2 ¼" square legs.

30" tall (sitting height) standard.

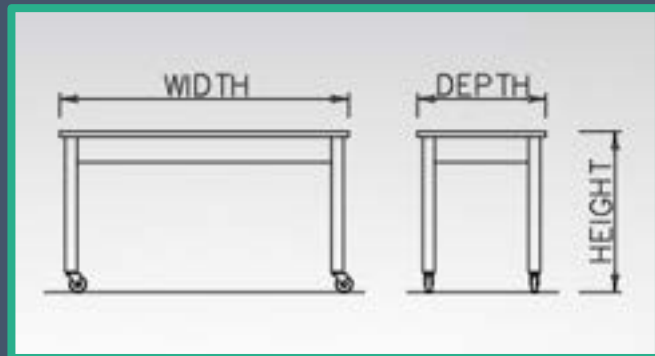
34" tall (ADA height) when noted with "-HC". (Provided with stretchers)

36" tall (standing height) when noted with "-36". (Provided with stretchers)

Swivel casters with brakes.



See page 7.1 for available countertop material.



Single Faced	Width	Depth	Height
BC-2958	48"	24"	30"
BC-2959	48"	30"	30"
BC-2960	54"	24"	30"
BC-2961	54"	30"	30"
BC-2962	60"	24"	30"
BC-2963	60"	30"	30"
BC-2964	72"	24"	30"
BC-2965	72"	30"	30"

Double Faced	Width	Depth	Height
BC-2968	48"	42"	30"
BC-2969	48"	48"	30"
BC-2970	54"	42"	30"
BC-2971	54"	48"	30"
BC-2972	60"	42"	30"
BC-2973	60"	48"	30"
BC-2974	72"	42"	30"
BC-2975	72"	48"	30"



LEONARD PETERSON & COMPANY, INC.

P.O. BOX 2277, AUBURN, ALABAMA 36831-2277

334-821-6832 [www.lpco.com](http://www.lpco.com)



# Student Tables - Movable

## Plain Apron Student Table with Steel Legs.

Tables provided with;

Black powder coated 2" x 2" square tubular steel legs.

30" tall (sitting height) standard.

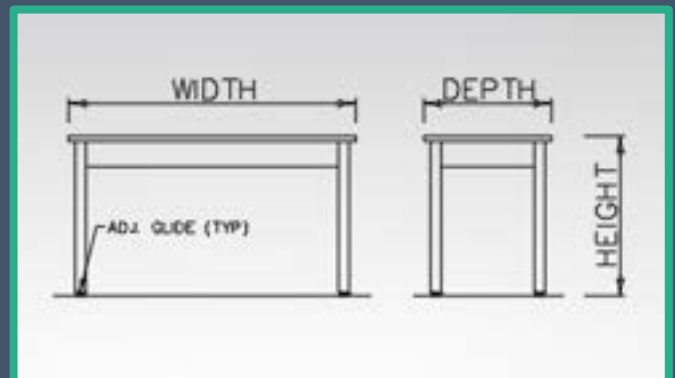
34" tall (ADA height) when noted with "-HC".

36" tall (standing height) when noted with "-36".

Adjustable glides or leg shoes, suffix "LS".



See page 7.1 for available countertop material.



Single Faced	Width	Depth	Height
SL-2958	48"	24"	30"
SL-2959	48"	30"	30"
SL-2960	54"	24"	30"
SL-2961	54"	30"	30"
SL-2962	60"	24"	30"
SL-2963	60"	30"	30"
SL-2964	72"	24"	30"
SL-2965	72"	30"	30"

Double Faced	Width	Depth	Height
SL-2968	48"	42"	30"
SL-2969	48"	48"	30"
SL-2970	54"	42"	30"
SL-2971	54"	48"	30"
SL-2972	60"	42"	30"
SL-2973	60"	48"	30"
SL-2974	72"	42"	30"
SL-2975	72"	48"	30"



LEONARD PETERSON & COMPANY, INC.

P.O. BOX 2277, AUBURN, ALABAMA 36831-2277

334-821-6832 [www.lpco.com](http://www.lpco.com)

# Student Tables - Movable

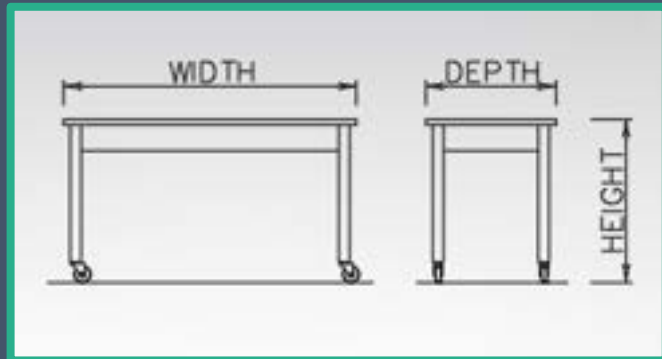
## Plain Apron Student Table with Steel Legs and Casters.

Tables provided with;

- Black powder coated 2" x 2" square tubular steel legs.
- 30" tall (sitting height) standard.
- 34" tall (ADA height) when noted with "-HC".
- 36" tall (standing height) when noted with "-36".
- Swivel casters with brakes.



See page 7.1 for available countertop material.



Single Faced	Width	Depth	Height
SLC-2958	48"	24"	30"
SLC-2959	48"	30"	30"
SLC-2960	54"	24"	30"
SLC-2961	54"	30"	30"
SLC-2962	60"	24"	30"
SLC-2963	60"	30"	30"
SLC-2964	72"	24"	30"
SLC-2965	72"	30"	30"

Double Faced	Width	Depth	Height
SLC-2968	48"	42"	30"
SLC-2969	48"	48"	30"
SLC-2970	54"	42"	30"
SLC-2971	54"	48"	30"
SLC-2972	60"	42"	30"
SLC-2973	60"	48"	30"
SLC-2974	72"	42"	30"
SLC-2975	72"	48"	30"





# Student Tables - Movable

## Plain Apron Student Table with Adj. Height Steel Legs.

Tables provided with;

Black powder coated 2" x 2" square tubular steel legs with telescoping height adjustment.

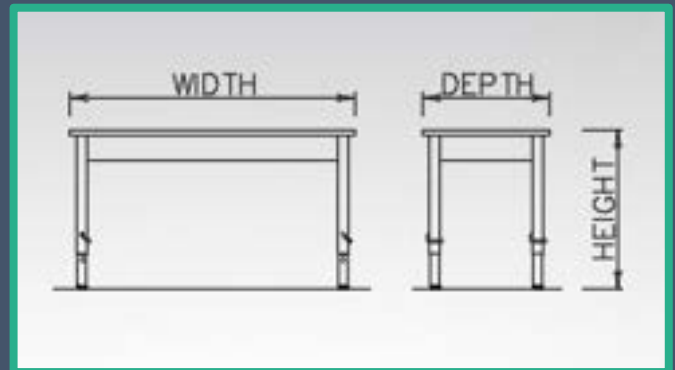
Height adjustment between 30" tall (sitting height) and 36" tall (standing height).

Locking pins.

Adjustable glides.



See page 7.1 for available countertop material.



Single Faced	Width	Depth	Height
SLAH-2958	48"	24"	30"-36"
SLAH-2959	48"	30"	30"-36"
SLAH-2960	54"	24"	30"-36"
SLAH-2961	54"	30"	30"-36"
SLAH-2962	60"	24"	30"-36"
SLAH-2963	60"	30"	30"-36"
SLAH-2964	72"	24"	30"-36"
SLAH-2965	72"	30"	30"-36"

Double Faced	Width	Depth	Height
SLAH-2968	48"	42"	30"-36"
SLAH-2969	48"	48"	30"-36"
SLAH-2970	54"	42"	30"-36"
SLAH-2971	54"	48"	30"-36"
SLAH-2972	60"	42"	30"-36"
SLAH-2973	60"	48"	30"-36"
SLAH-2974	72"	42"	30"-36"
SLAH-2975	72"	48"	30"-36"



LEONARD PETERSON & COMPANY, INC.

P.O. BOX 2277, AUBURN, ALABAMA 36831-2277

334-821-6832 [www.lpco.com](http://www.lpco.com)

# Student Tables - Movable

## Plain Apron Student Table with Adj. Height Steel Legs and Casters.

Tables provided with;

Black powder coated 2" x 2" square tubular steel legs with telescoping height adjustment.

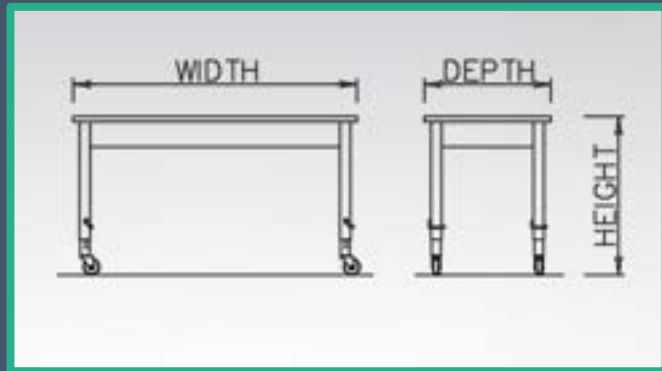
Height adjustment between 30" tall (sitting height) and 36" tall (standing height).

Locking pins.

Swivel casters with brakes.



See page 7.1 for available countertop material.



Single Faced	Width	Depth	Height
SLAHC-2958	48"	24"	30"-36"
SLAHC-2959	48"	30"	30"-36"
SLAHC-2960	54"	24"	30"-36"
SLAHC-2961	54"	30"	30"-36"
SLAHC-2962	60"	24"	30"-36"
SLAHC-2963	60"	30"	30"-36"
SLAHC-2964	72"	24"	30"-36"
SLAHC-2965	72"	30"	30"-36"

Double Faced	Width	Depth	Height
SLAHC-2968	48"	42"	30"-36"
SLAHC-2969	48"	48"	30"-36"
SLAHC-2970	54"	42"	30"-36"
SLAHC-2971	54"	48"	30"-36"
SLAHC-2972	60"	42"	30"-36"
SLAHC-2973	60"	48"	30"-36"
SLAHC-2974	72"	42"	30"-36"
SLAHC-2975	72"	48"	30"-36"



LEONARD PETERSON & COMPANY, INC.

P.O. BOX 2277, AUBURN, ALABAMA 36831-2277

334-821-6832 [www.lpco.com](http://www.lpco.com)



# Student Tables - Movable

## B-795 Plain Apron Pentagon table with 5 legs.

Tables provided with;

Solid Oak/Maple 2 ¼" x 2 ¼" square legs.

30" tall (sitting height) standard.

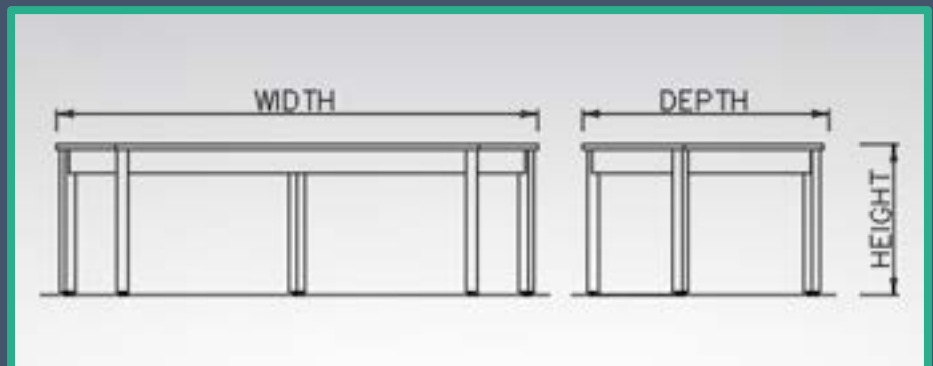
34" tall (ADA height) when noted with "-HC".

36" tall (standing height) when noted with "-36".

Adjustable glides or leg shoes.



*See page 7.1 for available countertop material.*



LEONARD PETERSON & COMPANY, INC.

P.O. BOX 2277, AUBURN, ALABAMA 36831-2277

334-821-6832 [www.lpco.com](http://www.lpco.com)

4.10

# Student Tables - Stationary

**Perimeter Type Student Tables (Peninsula Units)** Student Perimeter Tables can be equipped with services for gas, water and electricity. Units are suitable for all sciences.



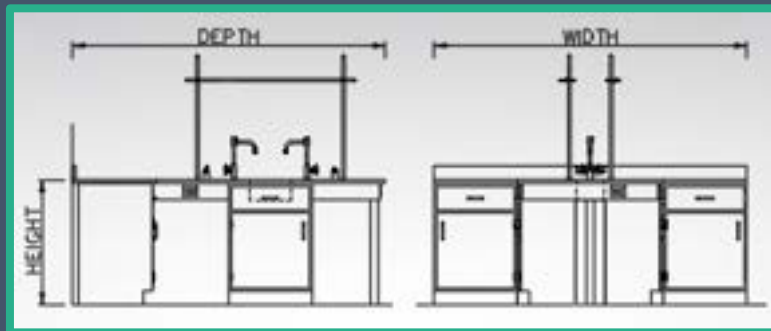
**B-500:**  
Equipment:  
(1) epoxy resin sink 12" x 8" x 6" I.D. with sink outlet, (2) cold water faucets, (2) double gas cocks, (3) GFI duplex electric receptacles, (2) removable cross bar rod assemblies.



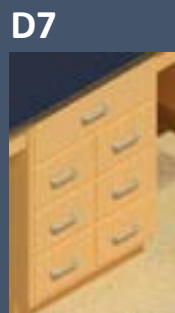
**B-520:**  
Equipment:  
(1) quad gas cock, (3) GFI duplex electric receptacles, (2) removable cross bar rod assemblies.



**B-530:**  
Equipment:  
(3) GFI duplex electric receptacles.  
(This table typical in Biology labs.)



## Cabinet options:





# Student Tables - Stationary

## Combination Science Laboratory Student Tables (Island Units)

Student Perimeter Tables can be equipped with services for gas, water and electricity. Units are suitable for all sciences.



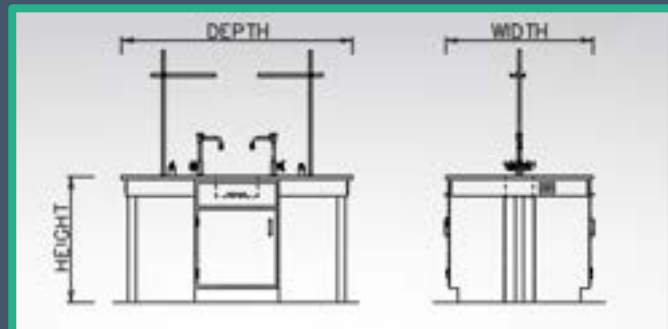
**B-540:**  
**66"x48"x36"**  
 Equipment:  
 (1) epoxy resin sink  
 12" x 8" x 6" I.D. with  
 sink outlet,  
 (2) cold water  
 faucets,  
 (2) double gas cocks,  
 (2) GFI duplex  
 electric receptacles,  
 (2) removable cross  
 bar rod assemblies.



**B-550:**  
**66"x48"x36"**  
 Equipment:  
 (1) quad gas cock,  
 (2) GFI duplex  
 electric receptacles,  
 (2) removable cross  
 bar rod assemblies.



**B-560:**  
**66"x48"x36"**  
 Equipment:  
 (2) GFI duplex  
 electric receptacles.  
 (This table typical in  
 Biology labs.)



### Cabinet options:



LEONARD PETERSON & COMPANY, INC.

P.O. BOX 2277, AUBURN, ALABAMA 36831-2277

334-821-6832 [www.lpco.com](http://www.lpco.com)

4.12

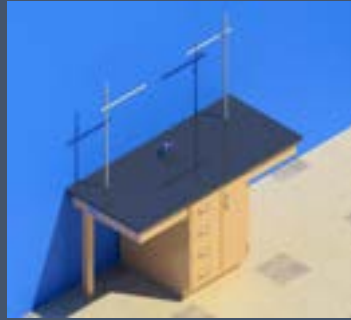
# Student Tables - Stationary

## Combination Science Laboratory Student Tables

Student Perimeter Tables can be equipped with services for gas, water and electricity. Units are suitable for all sciences. Provided as wall units or island units with finished backs.



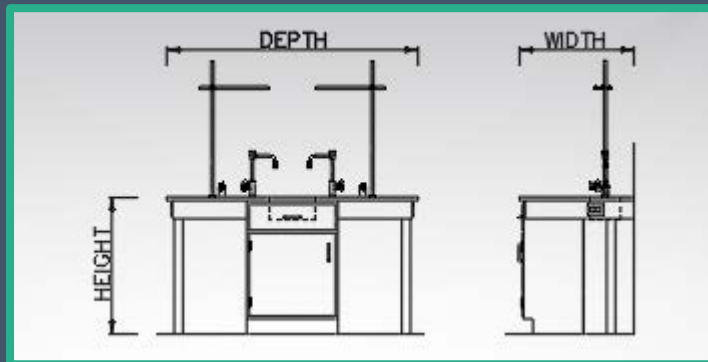
**B-541:**  
**66"x30"x36"**  
Equipment:  
(1) epoxy resin sink 12" x 8" x 6" I.D. with sink outlet, (2) cold water faucets, (2) single gas cocks, (2) GFI duplex electric receptacles, (2) removable cross bar rod assemblies.



**B-551:**  
**66"x30"x36"**  
Equipment:  
(1) double gas cock, (2) GFI duplex electric receptacles, (2) removable cross bar rod assemblies.



**B-561:**  
**66"x30"x36"**  
Equipment:  
(2) GFI duplex electric receptacles.  
(This table typical in Biology labs.)



### Cabinet options:



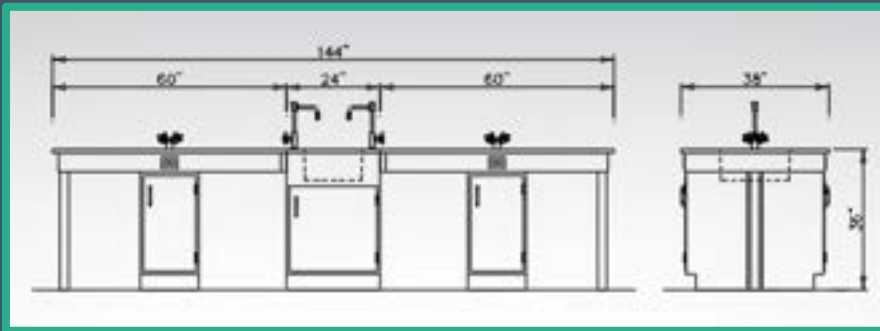


# Student Tables - Stationary



## **B-657-36** EIGHT STUDENT COMBINATION SCIENCE TABLE: 144"x38"x36"

Equipment: (1) epoxy resin sink 18" x 15" x 8" I.D. with sink outlet, (2) cold water faucets, (8) gas cocks, (4) GFI duplex electric receptacles, (4) rod sockets.



Change "-36" to "-30" or "-34" to change height of unit.

**B-580:** Wall Service Unit allows for lab flexibility when using movable student tables.

## **90"x24"x36"**

Equipment: (1) epoxy resin sink 16" x 12" x 8" I.D. with sink outlet, (1) cold water faucet, (2) single gas cocks, (2) GFI electric receptacles. (Cabinet arrangement can be configured as required.)



LEONARD PETERSON & COMPANY, INC.

P.O. BOX 2277, AUBURN, ALABAMA 36831-2277

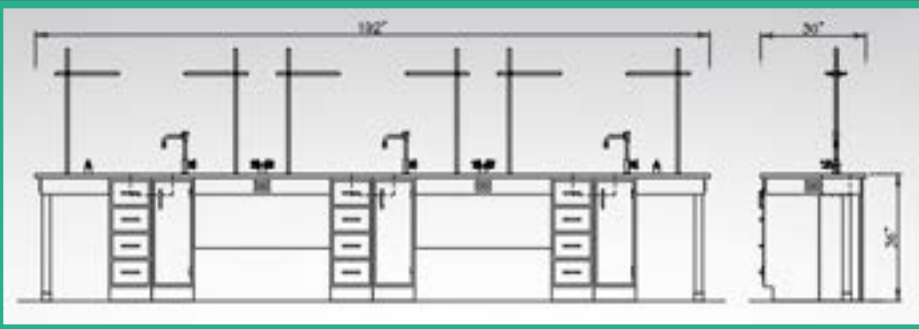
334-821-6832 [www.lpco.com](http://www.lpco.com)

# Student Tables - Stationary



## **B-700-36** SIX STUDENT COMBINATION SCIENCE TABLE: 192"x30"x36"

Equipment: (3) epoxy resin sinks 12" x 8" x 6" I.D. with sink outlet, (3) cold water faucets, (6) gas cocks, (4) GFI duplex electric receptacles, (6) rod assemblies.

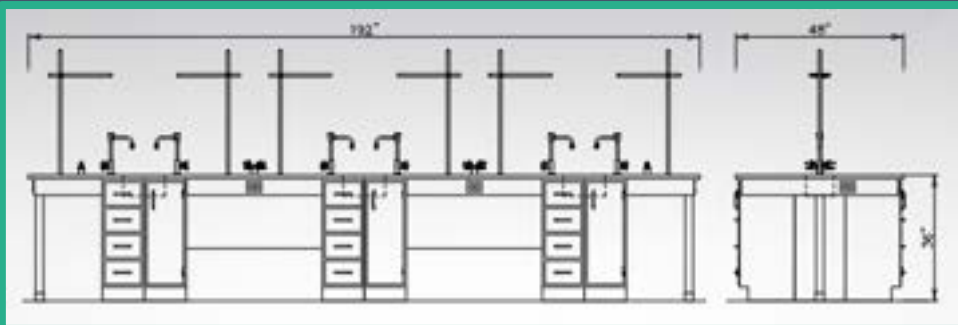


Change "-36" to "-30" or "-34" to change height of unit.



## **B-702-36** TWELVE STUDENT COMBINATION SCIENCE TABLE: 192"x48"x36"

Equipment: (3) epoxy resin sinks 12" x 8" x 6" I.D. with sink outlet, (6) cold water faucets, (12) gas cocks, (6) GFI duplex electric receptacles, (6) rod assemblies.

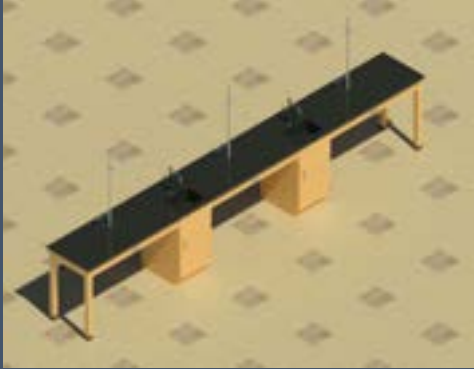


Change "-36" to "-30" or "-34" to change height of unit.



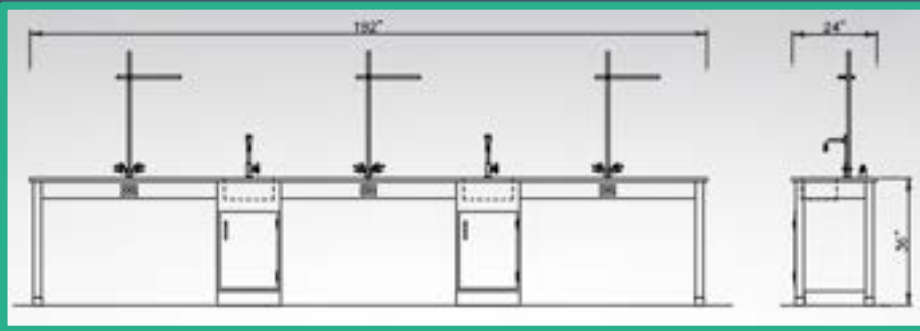


# Student Tables - Stationary



## **B-724-36** SIX STUDENT COMBINATION SCIENCE TABLE: 192"x24"x36"

Equipment: (2) epoxy resin sinks 14" x 10" x 6" I.D. with sink outlet, (2) cold water faucets, (6) gas cocks, (3) GFI duplex electric receptacles, (3) rod assemblies.

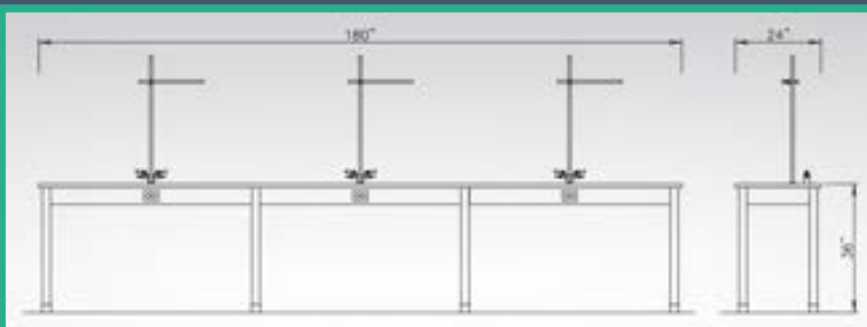


Change "-36" to "-30" or "-34" to change height of unit.



## **B-726-36** SIX STUDENT COMBINATION SCIENCE TABLE: 180"x24"x36"

Equipment: (6) gas cocks, (3) GFI duplex electric receptacles, (3) rod assemblies.



Change "-36" to "-30" or "-34" to change height of unit.

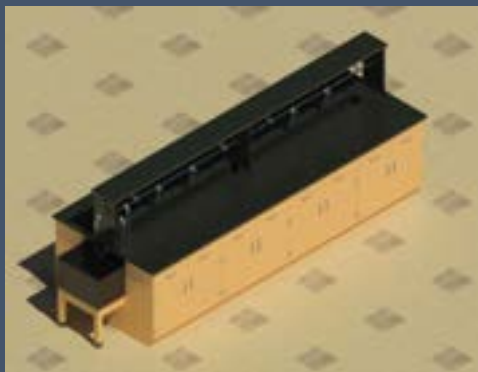


LEONARD PETERSON & COMPANY, INC.

P.O. BOX 2277, AUBURN, ALABAMA 36831-2277

334-821-6832 [www.lpco.com](http://www.lpco.com)

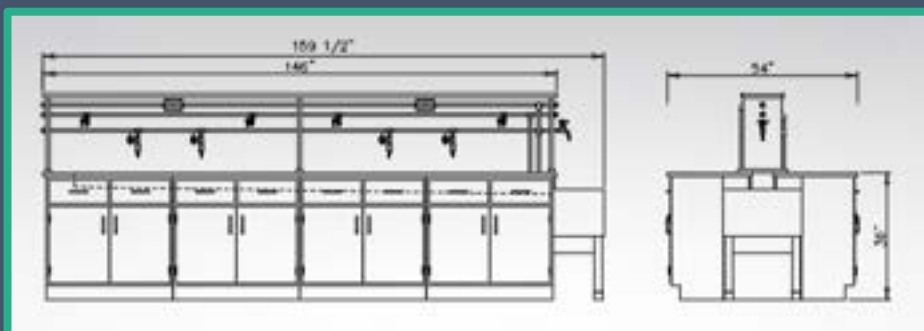
# Student Tables - Stationary



## **B-800-36** EIGHT STUDENT COMBINATION SCIENCE TABLE: 159"x54"x36"

Equipment: Lipped Reagent shelf. (1) epoxy resin trough sink and (1) 22"x13-5/8"x12-1/2" I.D. end sink with sink outlet, (5) cold water faucets, (8) gas cocks and (4) GFI duplex electric receptacles.

Exposed piping for services by LPCo.



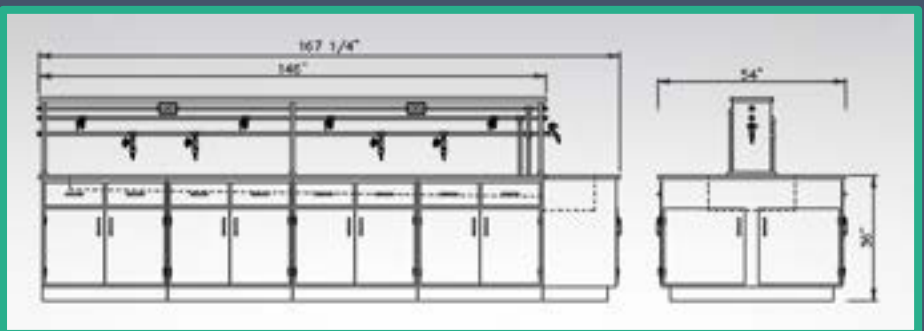
Change "-36" to "-30" or  
"-34" to change height of  
unit.



## **B-802-36** EIGHT STUDENT COMBINATION SCIENCE TABLE: 167"x54"x36"

Equipment: Lipped Reagent shelf. (1) epoxy resin trough sink and (1) 25"x15"x10" I.D. end sink with sink outlet, (5) cold water faucets, (8) gas cocks and (4) GFI duplex electric receptacles.

Exposed piping for services by LPCo.



Change "-36" to "-30" or  
"-34" to change height of  
unit.



LEONARD PETERSON & COMPANY, INC.

P.O. BOX 2277, AUBURN, ALABAMA 36831-2277

334-821-6832 [www.lpc.com](http://www.lpc.com)

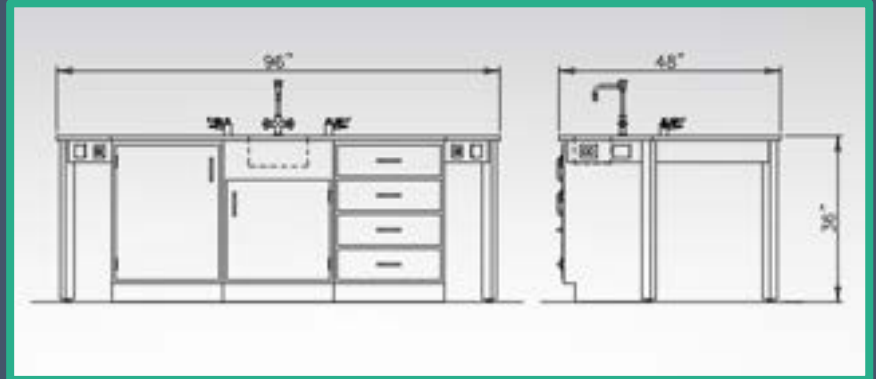
4.17



# Student Tables - Stationary

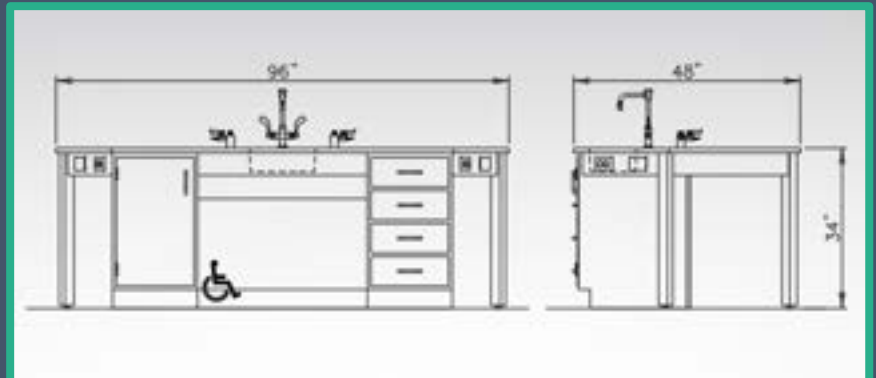
## **B-799-36** FOUR STUDENT PENTAGON SCIENCE TABLE: 96"x48"x36"

Equipment: (1) 12"x8"x6" I.D. sink with outlet, (1) mixing faucet, (4) gas cocks and (2) GFI duplex electric receptacles.



## **B-799-34** ADA FOUR STUDENT PENTAGON SCIENCE TABLE: 96"x48"x34"

Equipment: (1) 14"x10"x5" I.D. sink with outlet, (1) ADA mixing faucet, (4) gas cocks and (2) GFI duplex electric receptacles.



### Cabinet options:

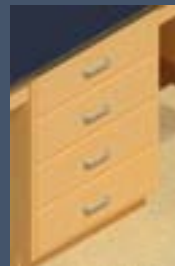
B



C



D



LEONARD PETERSON & COMPANY, INC.

P.O. BOX 2277, AUBURN, ALABAMA 36831-2277

334-821-6832 [www.lpco.com](http://www.lpco.com)

4.18

# Student Tables - Stationary

## B-747 Series Four Student Science Tables (Island Units)

Tables are suitable for all sciences. They can be supplied with or without the mountable cabinets as illustrated below. Use cabinet style as suffix to catalog number to specify style of cabinets required.



**B-747:**  
**56"x56"x36"**

Equipment: (1) epoxy resin sink 12" diameter I.D. with sink outlet, (2) cold water faucets, (2) double gas cocks, (2) GFI duplex electric receptacles, (2) removable cross bar rod assemblies.



**B-749:**  
**56"x56"x36"**

Equipment: (1) epoxy resin sink trough sink with sink outlet, (2) cold water faucets, (2) double gas cocks, (2) GFI duplex electric receptacles, (2) removable cross bar rod assemblies.



**B-747X:**  
**56"x56"x36"**

Equipment: (1) quad gas cock, (2) GFI duplex electric receptacles, (2) removable cross bar rod assemblies. (This table typical in Biology labs.)

### Suspended cabinet options:

A



B



BB



D2



DD



DX



K



LEONARD PETERSON & COMPANY, INC.

P.O. BOX 2277, AUBURN, ALABAMA 36831-2277

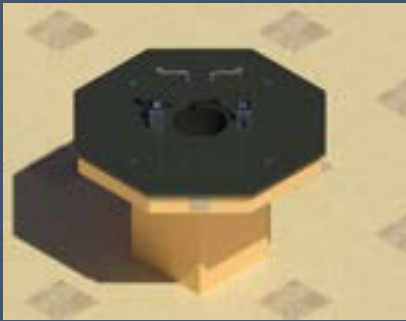
334-821-6832 [www.lpc.com](http://www.lpc.com)



# Student Tables - Stationary

## X-747 Series Four Student Science Tables (Island Units)

Tables are suitable for all sciences. They can be supplied with or without the mountable cabinets as illustrated below. Use cabinet style as suffix to catalog number to specify style of cabinets required.



**X-747:**  
**55"x55"x36"**

Equipment: (1) epoxy resin sink 12" diameter I.D. with sink outlet, (2) cold water faucets, (2) double gas cocks, (2) GFI duplex electric receptacles, (2) removable cross bar rod assemblies.



**X-749:**  
**55"x55"x36"**

Equipment: (1) epoxy resin sink trough sink with sink outlet, (2) cold water faucets, (2) double gas cocks, (2) GFI duplex electric receptacles, (2) removable cross bar rod assemblies.



**X-747X:**  
**55"x55"x36"**

Equipment: (1) quad gas cock, (2) GFI duplex electric receptacles, (2) removable cross bar rod assemblies. (This table typical in Biology labs.)

### Suspended cabinet options:

**A**



**B**



**BB**



**D2**



**DD**



**DX**



**K**



LEONARD PETERSON & COMPANY, INC.

P.O. BOX 2277, AUBURN, ALABAMA 36831-2277

334-821-6832 [www.lpco.com](http://www.lpco.com)

4.20



# Instructor Desks

- Instructor's Desks outlined on the following pages are designed to provide ample work space for demonstration. Units are provided with 1" black resin countertops. Desks up to 8'-0" long are provided with one-piece finished oak backs and shipped assembled to cabinets as a one piece unit.
- Exterior ends of drawer sections are provided with a duplex electric and data box with blank cover plate for electrical supply and connection to building data network.
- Demonstration Desks can be supplied with a side, sitting height 'Record Desk' for the instructors use.





# Instructor Desks

The **'B-1000 Instructor's Desk'** is furnished with three drawers, (1) file drawer, (1) sink cupboard, (1) epoxy resin sink (14"x10"x6"), (1) HW/CW faucet, (1) gas cock, (1) rod assembly, (1) GFI duplex receptacle and (1) black resin countertop .

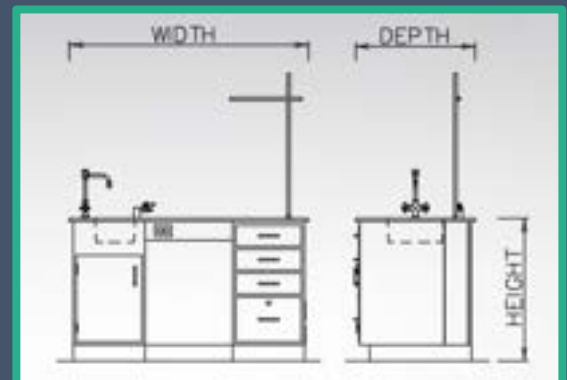
**'B-1000-R'** Same as above but reversed.

**'B-1001'** Same as above but provided with pull board.

**'B-1001-R'** Same as above but reversed and provided with pull board.



**WIDTH:**  
18" cabinets  
22" knee space  
60" total  
**DEPTH:**  
30"  
**HEIGHT:**  
36"

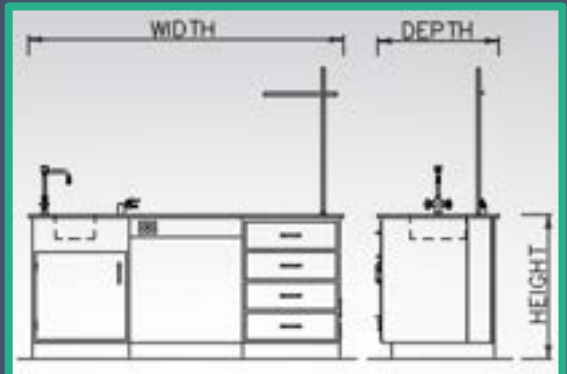


The **'B-1003 Instructor's Desk'** is furnished with (4) equal drawers, (1) sink cupboard, (1) epoxy resin sink (14"x10"x6"), (1) HW/CW faucet, (1) gas cock, (1) rod assembly, (1) GFI duplex receptacle and (1) black resin countertop.

**'B-1003-R'** Same as above but reversed.



**WIDTH:**  
24" cabinets  
28" knee space  
78" total  
**DEPTH:**  
30"  
**HEIGHT:**  
36"



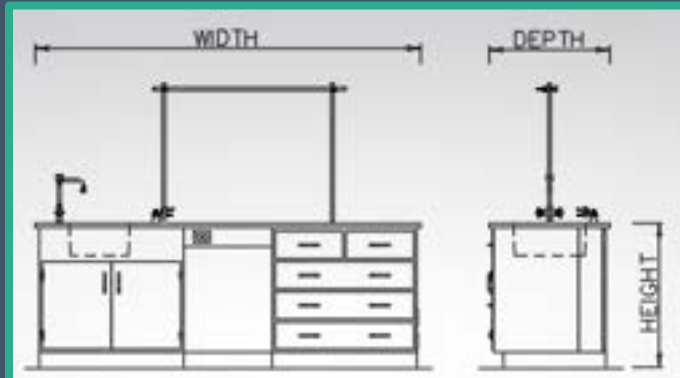
# Instructor Desks

The **'B-1010 Instructor's Desk'** is furnished with (5) drawers, (1) sink cupboard, (1) epoxy resin sink (18"x15"x8"), (1) HW/CW faucet, (1) double gas cock, (1) rod assembly, (1) GFI duplex receptacle and (1) black resin countertop.

**'B-1010-R'** Same as above but reversed.



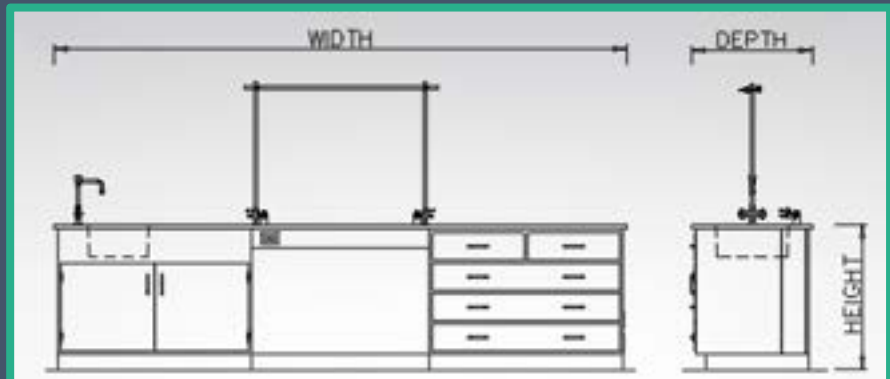
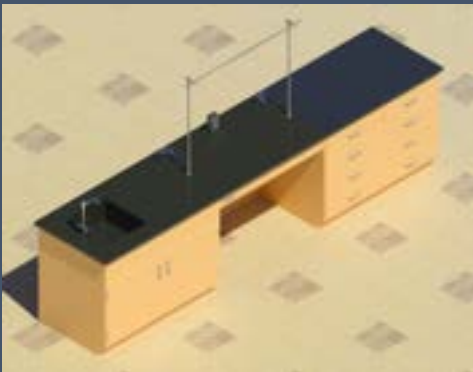
**WIDTH:**  
36" cabs  
22" knee space  
96" total  
**DEPTH:**  
30"  
**HEIGHT:**  
36"



The **'B-1021 Instructor's Desk'** is furnished with (5) drawers, (1) sink cupboard, (1) epoxy resin sink (18"x15"x8"), (1) HW/CW faucet, (2) double gas cocks, (1) rod assembly, (1) GFI duplex receptacle and (1) black resin countertop.

**'B-1021-R'** Same as above but reversed.

**WIDTH:** 48" cab, 45" knee space , 142" total  
**DEPTH:** 30"  
**HEIGHT:** 36"





# Instructor Desks

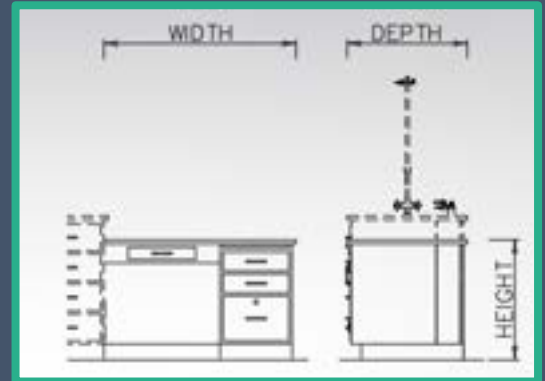


The **'B-1030 Instructor's Record Desk'** is furnished with (1) knee space pencil drawer, (2) standard drawers, (1) pull board, (1) file drawer, (1) 2" grommet, (1) full height finished back and (1) black resin countertop.

**'B-1030-R'** Same as above but reversed.



**WIDTH:**  
18" cabinets  
29" knee space  
48" total  
**DEPTH:**  
30"  
**HEIGHT:**  
30"

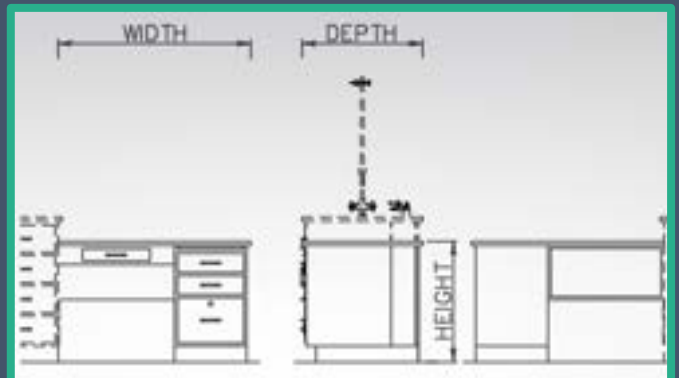


The **'B-1031 Instructor's Record Desk'** is furnished with (1) knee space pencil drawer, (2) standard drawers, (1) pull board, (1) file drawer, (1) 2" grommet, (1) full height finished back on drawer cabinet, (1) bookshelf unit on the back and (1) black resin countertop.

**'B-1031-R'** Same as above but reversed.



**WIDTH:**  
18" cab  
29" knee space  
48" total  
**DEPTH:**  
30"  
**HEIGHT:**  
30"



LEONARD PETERSON & COMPANY, INC.

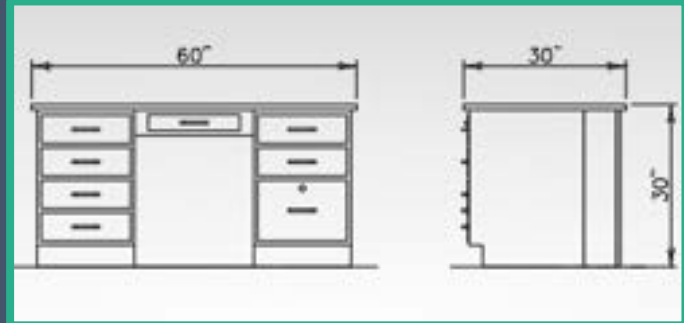
P.O. BOX 2277, AUBURN, ALABAMA 36831-2277

334-821-6832 [www.lpco.com](http://www.lpco.com)

# Instructor Desks

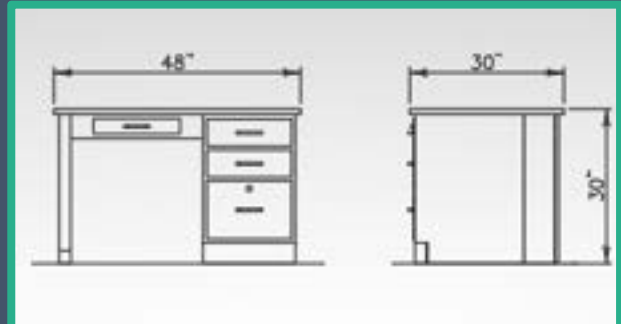
**'B-1601 Double Pedestal Desk'** furnished with pull shelf, (6) utility drawers, (1) lockable file drawer and pencil drawer. Desk has a finished back on each pedestal and a black resin countertop.

**WIDTH: 60"**  
**DEPTH: 30"**  
**HEIGHT: 30"**



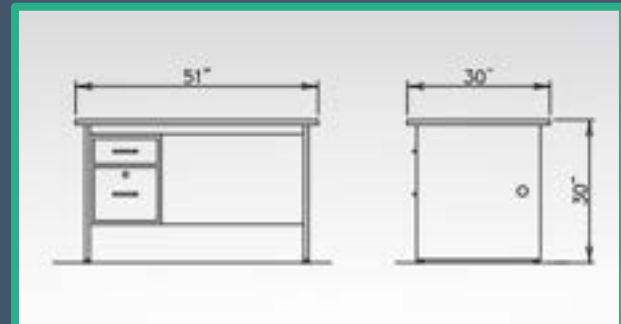
**'B-1602 Pedestal Desk'** furnished with (2) utility drawers, (1) lockable file drawer and (1) pencil drawer. Desk has a finished back on pedestal and a black resin countertop.

**WIDTH: 48"**  
**DEPTH: 30"**  
**HEIGHT: 30"**



**'B-1605 Pedestal Desk'** furnished with (1) utility drawer, (1) lockable file drawer and (2) leg panels with adjustable glides. Desk has a finished back and a black resin countertop.

**WIDTH: 51"**  
**DEPTH: 30"**  
**HEIGHT: 30"**

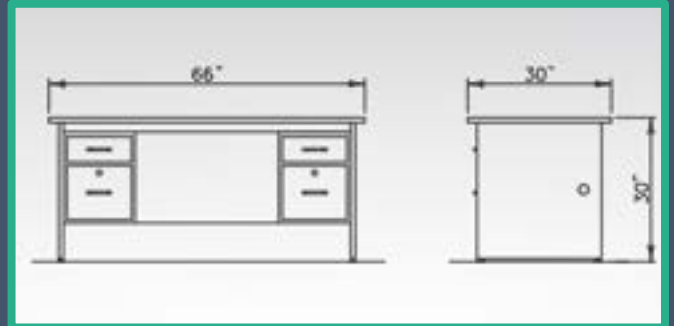




# Instructor Desks

**'B-1608 Pedestal Desk'** furnished with (2) utility drawers, (2) lockable file drawers and (2) leg panels with adjustable glides. Desk has a finished back and a black resin countertop.

WIDTH: 66"  
DEPTH: 30"  
HEIGHT: 30"



# Mobile

**'B-1008 Mobile Demonstration Desk'** has (5) drawers, (3) cupboards and drop leaf. Equipment: (1) 3"x6" oval cupsink, black resin countertop, pump faucet, (2) polyethylene 1 gallon bottles for water and waste, (1) removable cross bar assembly, (1) duplex electric outlet with inlet for (1) 12' extension cord.



**'B-1009'** Same but without drop leaf.

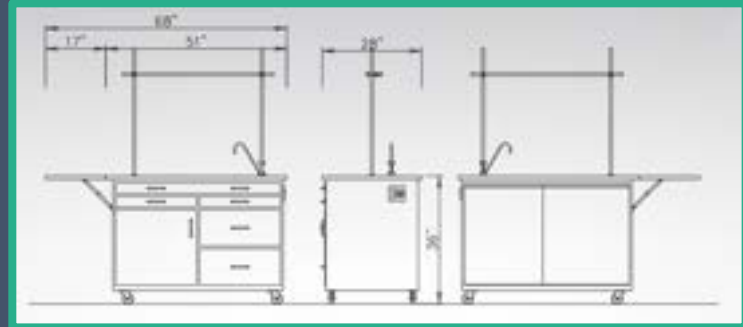
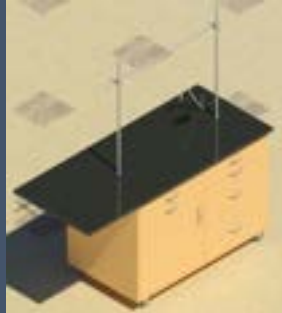
**WIDTH:**

With leaf: 68"

Without leaf: 51"

**DEPTH:** 28"

**HEIGHT:** 36"

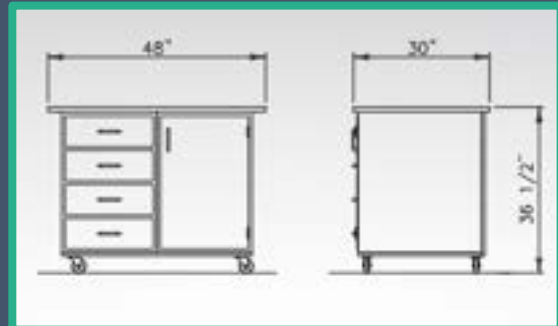


**'B-1052 Portable Storage Table'** is furnished with 42" storage having (4) drawers and cupboard with adjustable shelf. Work top is 1" black resin. Unit provided with (2) fixed casters and (2) swivel casters with brakes.

**WIDTH:** 48"

**DEPTH:** 30"

**HEIGHT:** 36" nom.



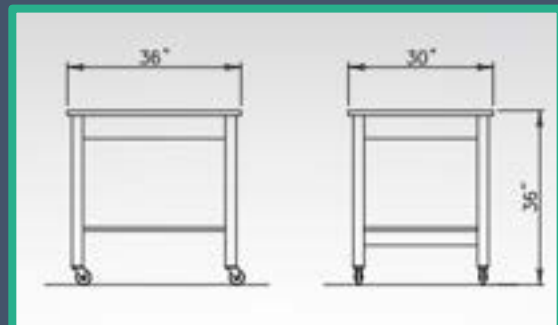
**'B-1055 Auxiliary Table'** has a black resin top and 4 swivel casters with brakes.

**'B-1056'** Same as **'B-1055'**, except only 2'-0" wide.

**WIDTH:** 36"

**DEPTH:** 30"

**HEIGHT:** 36"

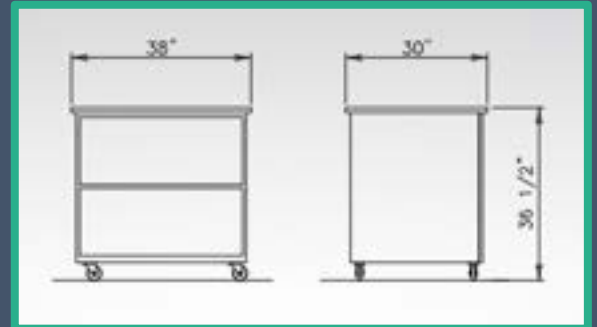




# Mobile

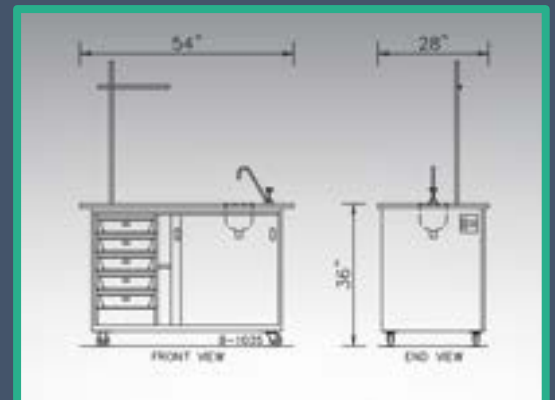
**'B-1057 Auxiliary Table'** is furnished with a black resin top, (1) fixed shelf and 4 swivel casters with brakes.

**WIDTH: 38"**  
**DEPTH: 30"**  
**HEIGHT: 36" nom.**



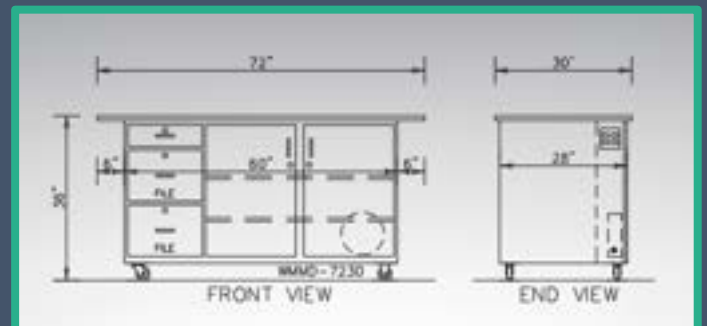
**'B-1035 Mobile Demo Desk'** furnished with black resin top, (1) fixed shelf, (2) fixed casters, (2) swivel casters, crossbar assembly, round cupsink, pump faucet, (2) bottles for water and waste, duplex electric with inlet for extension cord and 12' extension cord.

**W: 54" D: 28" H: 36" nom.**



**'WMMD-7230 Work Table'** is furnished with a edge grain maple top, (1) fixed shelf (2) fixed casters and (2) swivel casters, .

**WIDTH: 72"**  
**DEPTH: 30"**  
**HEIGHT: 36" nom.**

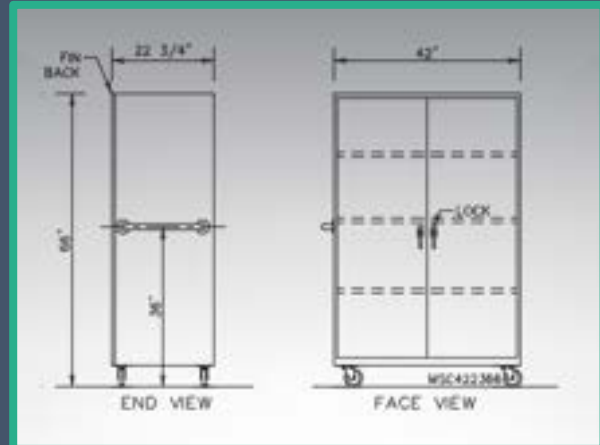


# Mobile

## 'MSC422366

**Mobile Tool Case'** is furnished with (4) adjustable shelves and (4) casters.

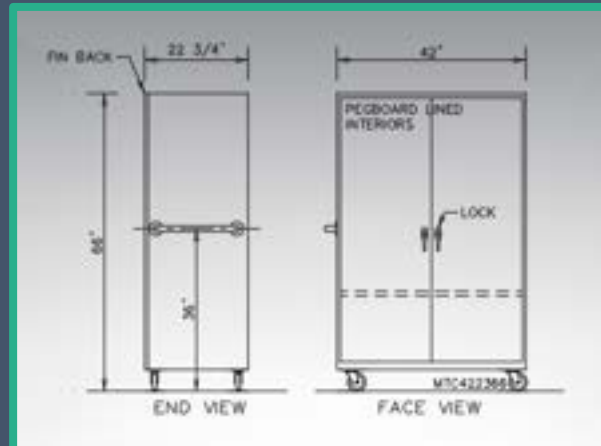
**WIDTH: 42"**  
**DEPTH: 22 3/4"**  
**HEIGHT: 66" nom.**



## 'MTC422366

**Mobile Tool Case'** is furnished with pegboard lined interiors, (1) fixed shelf and (4) casters.

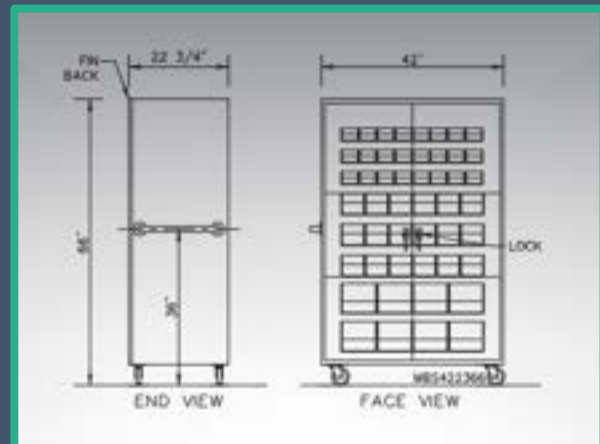
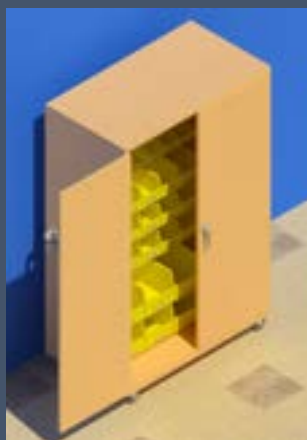
**WIDTH: 42"**  
**DEPTH: 22 3/4"**  
**HEIGHT: 66" nom.**



## 'MBS422366

**Mobile Tool Case'** is furnished with an assortment of tool trays and (4) casters.

**WIDTH: 42"**  
**DEPTH: 22 3/4"**  
**HEIGHT: 66" nom.**





# Mobile

## 'B-1081

**PLANT STUDY UNIT'** is furnished with (3) adjustable light fixtures, (3) shelves with plastic tray inserts and (4) casters.

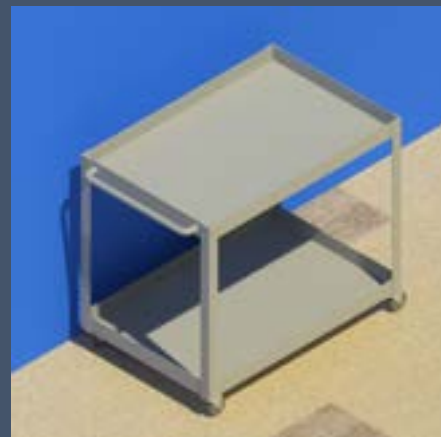
**WIDTH: 38"**  
**DEPTH: 30"**  
**HEIGHT: 36" nom.**



## 'B-1041 MOBILE CART'

is furnished with (2) steel fixed tray shelves and (4) casters.

**WIDTH: 36"**  
**DEPTH: 24"**  
**HEIGHT: 32" nom.**



# Countertops, Sinks and Accessories

Leonard Peterson offers several countertop materials to fit every classroom application. From science labs to art labs we provide tops and accessories to meet the unique and individual needs of each classroom environment.  
(Color selection is dependent upon each supplier.)



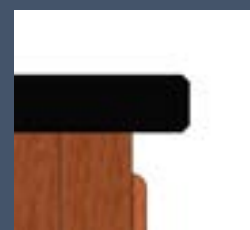
## Epoxy Resin

Beveled edge with drip groove underneath. Available in  $\frac{3}{4}$ " and 1" thickness.



## Phenolic Resin

Beveled edge. Available in  $\frac{3}{4}$ " and 1" thickness.



## Plastic Laminate- Oak Edge Banded

Oak edge to match casework. Available in  $\frac{3}{4}$ " and 1" thickness.



## Plastic Laminate- Self Edge Banded

Available in  $\frac{3}{4}$ " and 1" thickness.



## Plastic Laminate- PVC Edge Banded

Beveled edge. Available in  $\frac{3}{4}$ " and 1" thickness.



## Edge Grain Maple

Rounded edge. Available in 1  $\frac{1}{2}$ ", 1  $\frac{3}{4}$ " and 2  $\frac{1}{4}$ " thickness.



LEONARD PETERSON & COMPANY, INC.

P.O. BOX 2277, AUBURN, ALABAMA 36831-2277

334-821-6832 [www.lpco.com](http://www.lpco.com)

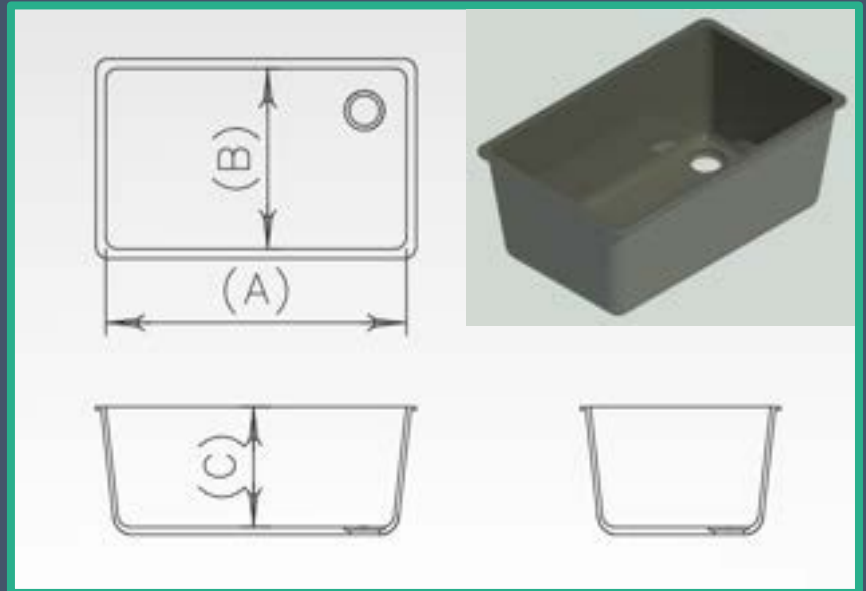


# Countertops, Sinks and Accessories

**Epoxy Resin Sinks** are available in a variety of sizes and can be used with both epoxy resin and phenolic resin countertop applications.

Sizes listed below are standard. Additional sizes, styles and colors are available dependent upon supplier.

*All epoxy resin sinks furnished with outlet.*



Model Number	Internal Length (A)	Internal Width (B)	Internal Depth (C)	Drain Location
L-2003	12	8	8	End
L-2005	14	10	6	Corner
L-ADA 5	14	10	5	Corner
L-2010	16	8	7	End
L-2015	16	12	8	Corner
L-2025	18	15	8	Corner
L-ADA 25	18	15	5	Corner
L-2030	18	15	11	Corner
L-2033	21	17	10	Corner
L-2050	24	16	8	Corner
L-2055	25	15	10	Corner
L-ADA 55	25	15	5	Corner
L-2059	28	16	12	Corner



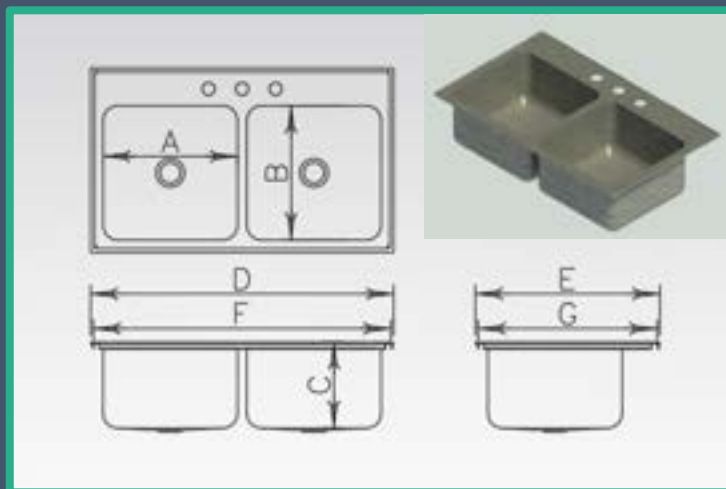
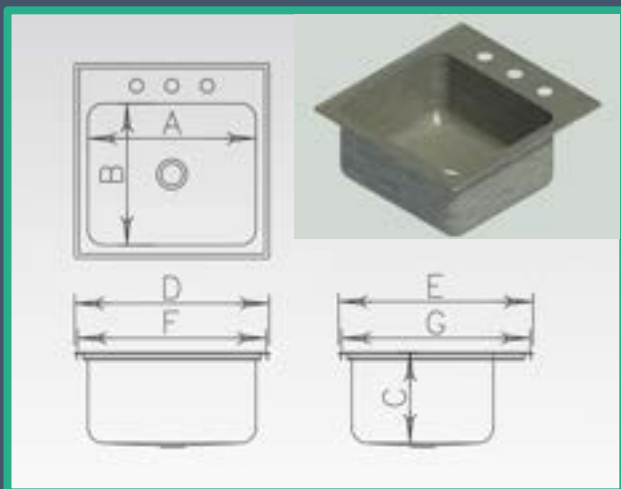
LEONARD PETERSON & COMPANY, INC.

P.O. BOX 2277, AUBURN, ALABAMA 36831-2277

334-821-6832 [www.lpco.com](http://www.lpco.com)

# Countertops, Sinks and Accessories

**Stainless Steel Sinks** are available in many different sizes and styles and can be used with plastic laminate and phenolic resin countertop applications. Sizes listed below are standard. Additional sizes and styles are available dependent upon supplier. *All stainless steel sinks furnished with basket strainer outlet.*

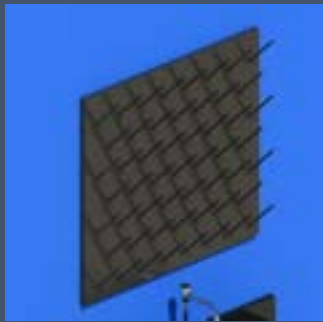


Model Number	Internal Length (A)	Internal Width (B)	Internal Depth (C)	Overall Length (D)	Overall Width (E)	Cutout Length (F)	Cutout Width (G)	Drain Location
<b>Single Bowl Sinks</b>								
SL-2117-AGR	14"	16"	7 1/2"	17"	21"	16 1/4"	20 1/4"	Center
SL-2119-AGR	16"	16"	7 1/2"	19"	21"	18 1/4"	20 1/4"	Center
SL-2122-AGR	19"	16"	7 1/2"	22"	21"	21 1/4"	20 1/4"	Center
SL-2125-AGR	22"	16"	7 1/2"	25"	21"	24 1/4"	20 1/4"	Center
SL-2131-AGR	28"	16"	7 1/2"	31"	21"	30 1/4"	20 1/4"	Center
<b>Double Bowl Sinks</b>								
DL-2133-AGR	14"	16"	7 1/2"	33"	21"	32 1/4"	20 1/4"	Center
DL-2137-AGR	16"	16"	7 1/2"	37"	21"	36 1/4"	20 1/4"	Center
DL-2143-AGR	19"	16"	7 1/2"	43"	21"	42 1/4"	20 1/4"	Center





# Countertops, Sinks and Accessories



**Resin Pegboards** are made of both epoxy and phenolic. Each can be provided with stainless steel drip trough or drip deflector (as shown below). Peg quantity is determined by size of pegboard.

**B-1281:**

Phenolic, 20"x30", 32 pegs

**B-1284:**

Epoxy, 20"x30", 32 pegs

**B-1286:**

Phenolic, 32"x30", 53 pegs

**B-1289:**

Epoxy, 32"x30", 53 pegs



## Stainless Steel Pegboards

are provided with integral drip troughs and white polypropylene pegs. Peg quantity is determined by the size of pegboard.

**PB-2430:**

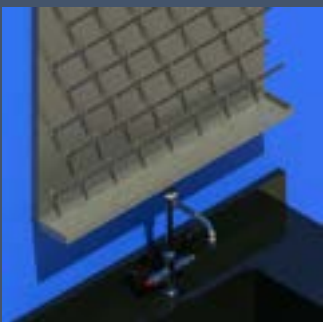
24"x30", 32 pegs

**PB-3030:**

30"x30", 50 pegs

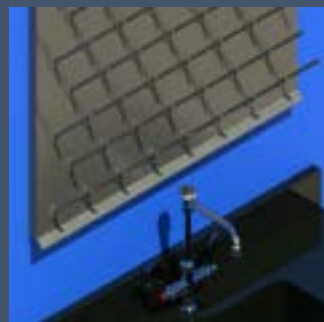
**PB-3630:**

36"x30", 50 pegs



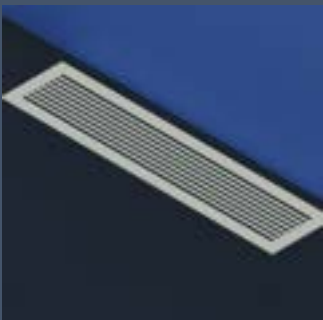
## Stainless Steel Drip Trough.

Provide the suffix "T" to the model number.



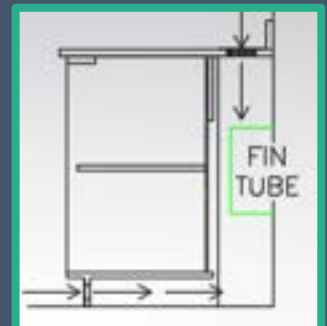
## Stainless Steel Drip Deflector.

Provide the suffix "D" to the model number.



## Countertop and Toespace Grilles

are provided where airflow accommodations are necessary behind and beneath casework.



LEONARD PETERSON & COMPANY, INC.

P.O. BOX 2277, AUBURN, ALABAMA 36831-2277

334-821-6832 [www.lpco.com](http://www.lpco.com)

# Laboratory Fixtures

Leonard Peterson provides a wide assortment of laboratory grade faucets, gas fixtures, safety shower and eyewash units. Faucets can be provided with aerators or serrated hose nozzles. Faucets and gas services can be provided as vandal resistant. Services are provided with a chrome finish, standard but can be powder coated with a limited selection of colors.



A fixture schedule is provided at the end of each set of submittal details we produce. This schedule includes model number, description and quantity.

LABORATORY WATER FIXTURES					
L. PETERSON MODEL NO.	QUANTITY REQ'D	TOP VIEW (PLAN VIEW)	FRONT VIEW	SIDE VIEW	DESCRIPTION
M-115-701	LH				COUNTER MOUNTED 180° OR 90° CW FAUCET W/ 6" RIGID VACUUM BREAKER GOOSENECK, AERATOR, (4) ARM HANDLE & 3/8" I.P.S. MOUNTING SHANK W/ LOCKNUT & WASHER.
	180°				
	RH				
M-115-701HC	LH				COUNTER MOUNTED 180° OR 90° CW FAUCET W/ 6" RIGID VACUUM BREAKER GOOSENECK, AERATOR, 4" WRIST BLADE HANDLE & 3/8" I.P.S. MOUNTING SHANK W/ LOCKNUT & WASHER.
	180°				
	RH				





# Laboratory Fixtures

**M-115** Cold water faucet with vacuum breaker and 4 arm handle. Add suffix 701 for aerator, 709 for serrated hose nozzle.



**M-115HC** Cold water faucet with vacuum breaker and blade handle. Add suffix 701 for aerator, 709 for serrated hose nozzle.



**M-315** Hot water, cold water faucet with vacuum breaker and 4 arm handles. Add suffix 701 for aerator, 709 for serrated hose nozzle.



**M-315HC** Hot water, cold water faucet with vacuum breaker and blade handles. Add suffix 701 for aerator, 709 for serrated hose nozzle.



**M-365** Panel mount hot water, cold water faucet with vacuum breaker and 4 arm handles. Add suffix 701 for aerator, 709 for serrated hose nozzle.



**M-365HC** Panel mount hot water, cold water faucet with vacuum breaker and 4 arm handles. Add suffix 701 for aerator, 709 for serrated hose nozzle.



**M-324** Cold water and gas multi service fixture with vacuum breaker and 4 arm handle. Add suffix 701 for aerator, 709 for serrated hose nozzle.



**M-324HC** Cold water and gas multi service fixture with vacuum breaker and blade handle. Add suffix 701 for aerator, 709 for serrated hose nozzle.



LEONARD PETERSON & COMPANY, INC.

P.O. BOX 2277, AUBURN, ALABAMA 36831-2277

334-821-6832 [www.lpco.com](http://www.lpco.com)

# Laboratory Fixtures

**M-401** In-line hanging cold water faucet.



**M-480** Panel mounted cold water faucet.



**M-457** Distilled water faucet (polypropylene lined).



**M-810-540** Single service, ball valve, gas fixture with serrated hose nozzle.



**M-811-540** Double service (90 degree), ball valve, gas fixture with serrated hose nozzles.



**M-812-540** Double service (180 degree), ball valve, gas fixture with serrated hose nozzles.



**M-814-540** Quad service, ball valve, gas fixture with serrated hose nozzles.



LEONARD PETERSON & COMPANY, INC.

P.O. BOX 2277, AUBURN, ALABAMA 36831-2277

334-821-6832 [www.lpco.com](http://www.lpco.com)



# Laboratory Fixtures

**M-760** Single service, ball valve, panel mounted gas fixture with serrated hose nozzle.



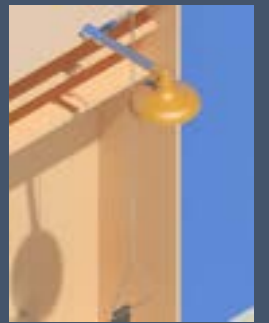
**M-761** Double service (90 degree), ball valve, panel mounted gas fixture with serrated hose nozzles.



**B-1244-HC** Freestanding accessible safety shower and eyewash unit.



**M-962-HC** Overhead accessible safety shower for B-1240-HC tall case unit.



**M-963-HC** Panel mounted 4 head eyewash unit for B-1240-HC tall case unit.



**M-968** Deck mounted eyewash/ drench hose unit.



**M-967** Deck mounted swing away eyewash unit.



**M-971** Panel mounted 2 head eyewash unit.



# Laboratory Fixtures

**Accessories** There are several additional fittings and accessories available for specific lab requirements. *Piping is typically by the plumbing contractor per the specifications.*

**M-731**  
Filter pump.



**M-709**  
Hose Nozzle.



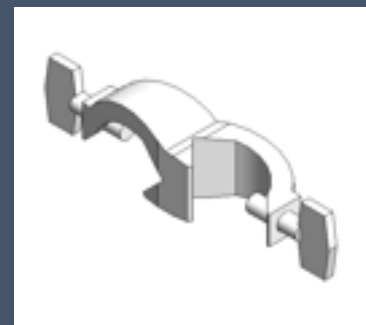
**M-735**  
Vacuum Breaker.



**A-558** Rod Socket.



**A-559**  
Rod Clamp.



**A-561** Rod Assembly.



**A-560-36**  
Rod Assembly.

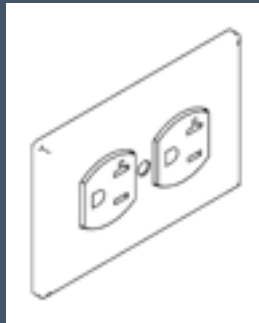




# Laboratory Fixtures

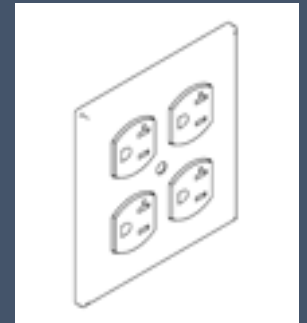
## A-460A-GFI

Duplex Electric,  
Single Gang,  
Panel Mount.



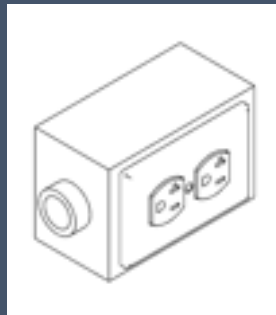
## A-460B-GFI

Duplex Electric,  
Double Gang,  
Panel Mount.



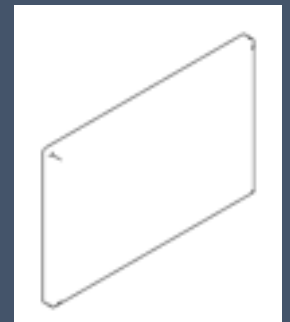
## A-460C-GFI

Duplex Electric, Single  
Gang, Single Face,  
Conduit Mount.



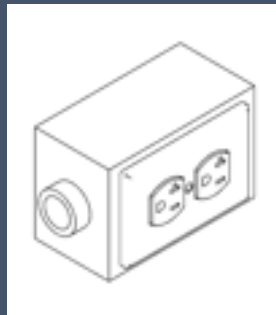
## A-465D

Blank Cover Plate,  
Single Gang Size,  
Panel Mount.



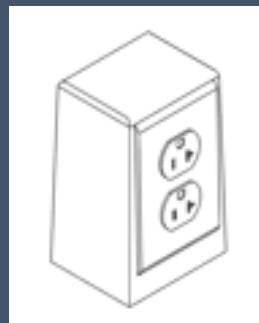
## A-460D-GFI

Double Face.



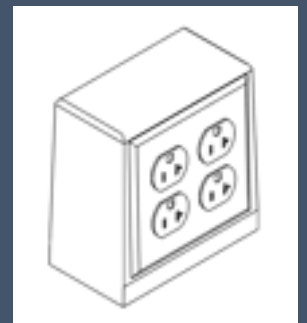
## A-460E-GFI

Duplex Electric, Single  
Gang, Single Face,  
Pedestal Mount.



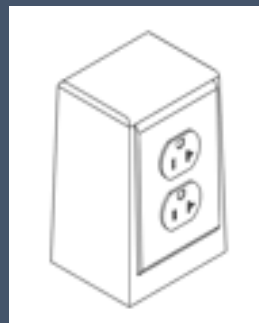
## A-460G-GFI

Duplex Electric, Double  
Gang, Single Face,  
Pedestal Mount.



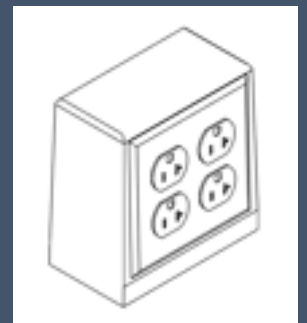
## A-460F-GFI

Double Face.



## A-460H-GFI

Double Face.



LEONARD PETERSON & COMPANY, INC.

P.O. BOX 2277, AUBURN, ALABAMA 36831-2277

334-821-6832 [www.lpco.com](http://www.lpco.com)

# Fume Hoods

## FUME HOOD SUPERSTRUCTURE

The Fume Hoods shown on the following pages are constructed with superstructure exteriors made of cold rolled steel finished with chemical resistant epoxy coating in Off White or other color as selected. Finished exterior panels are bolted to steel interior frames which are coated with black rust inhibitive finish. Interior linings (see below) are secured to inner frame with stainless steel screws. Upper face of superstructure is supplied with by-pass grilles to maintain constant air velocity through hoods. Air foil style fume hoods are furnished with steel air foils and are designed to allow air to enter hoods under closed sash.

Fume hood sashes are made with welded steel or PVC frames with removable glass retainers. Sashes have full length finger lift at bottom and are furnished with nylon end glides which slide in stainless steel guides. Hood sashes are glazed with 7/32" laminated safety glass. All sashes are counter-balanced using a single weight at rear of hood and supported by stainless steel cables running over nylon ball bearing pulleys.

## INTERIOR LININGS

Fume hood superstructures are furnished with White Polyresin as standard for interior lining, baffle plates and dampers. Baffle plates are removable for cleaning and/or decontamination. Interior access panels are provided on flat front and air foil type superstructures to provide ease of connecting and servicing supply fixtures. Other linings are also available: Phenolic Resin, Polyethylene, Polypropylene, PVC, Stainless Steel.

## WORK TOPS

Fume hoods are furnished with work tops made of 1" thick dished black epoxy resin to retain spillage of liquids. Other top materials available on special order.

## SPECIALTY FUME HOODS

Fume hoods in this catalog are for general laboratory usage and are not designed for use with Perchloric Acid or for Radioisotope work. Contact our office or one of our representatives for special purpose hoods.



Make up air units are available for all fume hoods. Type and design depends on actual space available in laboratory areas.



LEONARD PETERSON & COMPANY, INC.

P.O. BOX 2277, AUBURN, ALABAMA 36831-2277

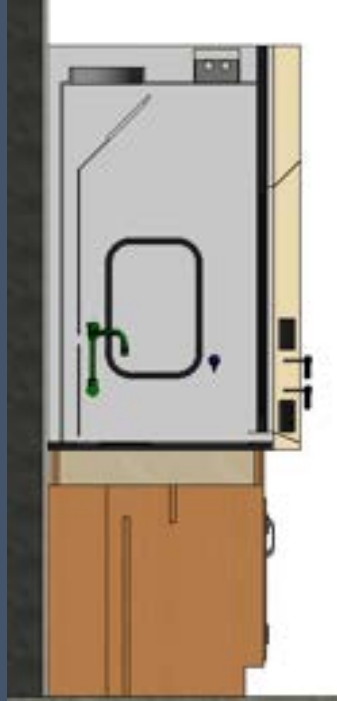
334-821-6832 [www.lpco.com](http://www.lpco.com)

9.1



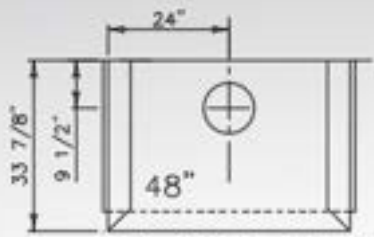
# Fume Hoods

**FAF483090** Front air foil accessible fume hood. (1) remote control cw faucet, (1) remote control gas cock, (1) remote control air cock, (1) remote control vacuum cock, (2) GFI duplex electric receptacles, (1) light switch with vapor proof 2-tube fluorescent light fixture (bulbs not included) and (1) blower switch cutout. Hood available in 48", 60" and 72" lengths. Service configurations dependent on requirements and size of hood.



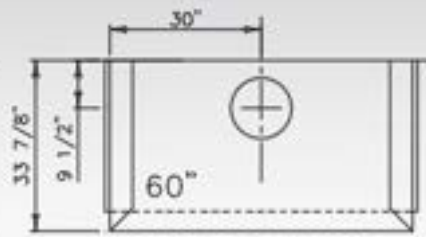
## Front Airfoil Bypass Fume Hoods

HOOD SIZE	COLLAR SIZE	75 PFM		100 PFM		125 PFM		150 PFM	
		CFM	S.P.	CFM	S.P.	CFM	S.P.	CFM	S.P.
48"	10" DIA.	650	.19	867	.35	1083	.54	1300	.78
60"	12" DIA.	850	.17	1133	.31	1417	.48	1700	.69
72"	12" DIA.	1050	.23	1400	.40	1750	.63	2100	.91



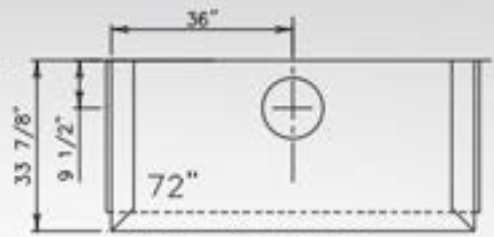
10" STN. STL. EXHAUST  
DUCT STUB 82" A.F.F.

**FAF483090**



12" STN. STL. EXHAUST  
DUCT STUB 82" A.F.F.

**FAF603090**



12" STN. STL. EXHAUST  
DUCT STUB 82" A.F.F.

**FAF723090**



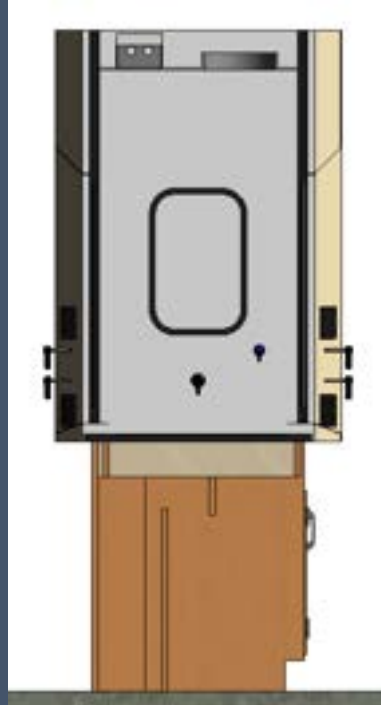
LEONARD PETERSON & COMPANY, INC.

P.O. BOX 2277, AUBURN, ALABAMA 36831-2277

334-821-6832 [www.lpco.com](http://www.lpco.com)

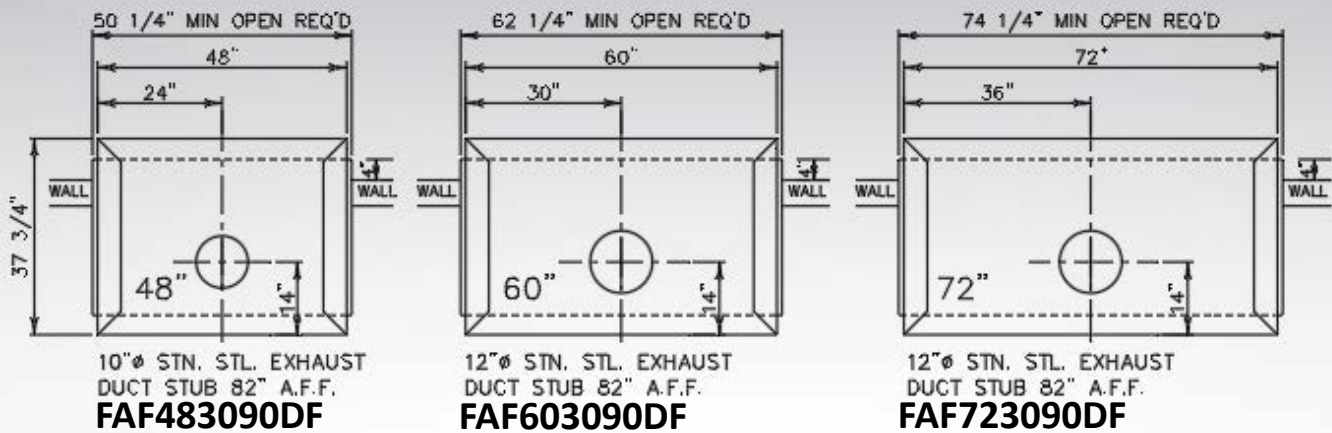
# Fume Hoods

**FAF483090DF** Front air foil, double sided, accessible fume hood. (1) remote control cw faucet, (1) remote control gas cock, (1) remote control air cock, (1) remote control vacuum cock, (4) GFI duplex electric receptacles, (2) light switch with vapor proof 2-tube fluorescent light fixture (bulbs not included) and (1) blower switch cutout. Hood available in 48", 60" and 72" lengths. Service configurations dependent on requirements and size of hood.



## Double Faced Front Airfoil Bypass Fume Hoods

HOOD SIZE	COLLAR SIZE	75 PFM		100 PFM		125 PFM		150 PFM	
		CFM	S.P.	CFM	S.P.	CFM	S.P.	CFM	S.P.
48"	10" DIA.	970	.43	1293	.77	1617	1.20	1940	1.73
60"	12" DIA.	1268	.38	1691	.68	2114	1.06	2537	1.53
72"	12" DIA.	1567	.50	2089	.90	2611	1.40	3134	2.02



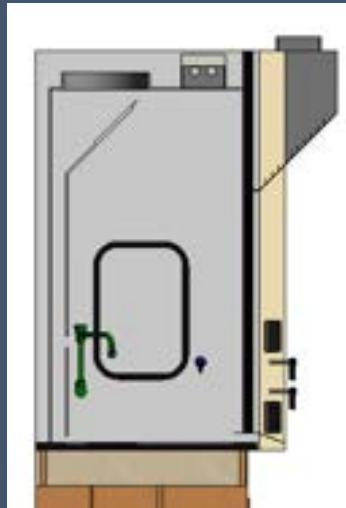


# Fume Hoods

**Add Air Chambers** are a solution to energy conservation problems. Chambers are available for all standard fume hood models. When furnished, the chamber replaces the standard top front panel on the superstructure face. The chamber serves to disperse a curtain of supplemental air down the face of the hood. A separate blower and duct are required to supply this air.

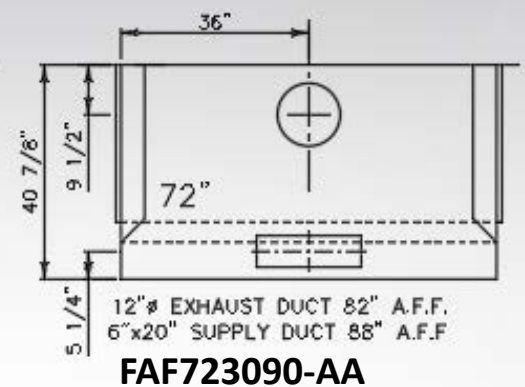
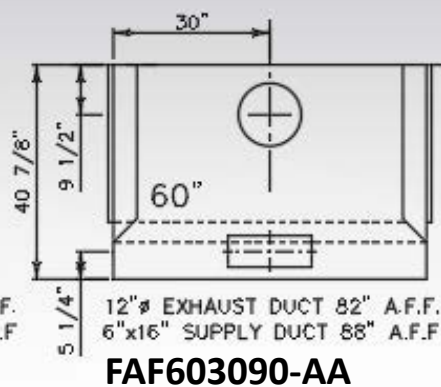
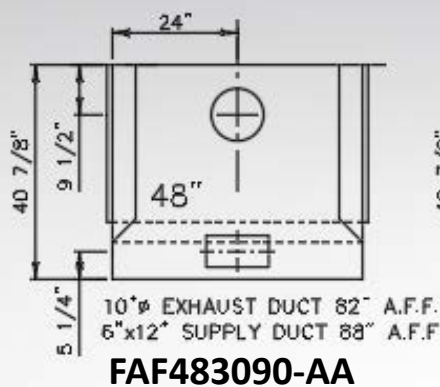
The air supplied can replace up to 70%

of the air exhausted by the hood system. Supply air is obtained from outside the laboratory which can result in a large savings in heating and cooling since less ambient room air is exhausted by the system. To specify add air chamber, add suffix -AA to catalog number.



## Front Airfoil Fume Hoods with Add Air Chambers

HOOD SIZE		COLLAR SIZE	75 PFM		100 PFM		125 PFM		150 PFM	
			CFM	S.P.	CFM	S.P.	CFM	S.P.	CFM	S.P.
48"	EXH	10" DIA.	650	.19	867	.35	1083	.54	1300	.78
	SUP	6" x 12"								
60"	EXH	12" DIA.	850	.17	1133	.31	1417	.48	1700	.69
	SUP	6" x 16"								
72"	EXH	12" DIA.	1050	.23	1400	.40	1750	.63	2100	.91
	SUP	6" x 20"								



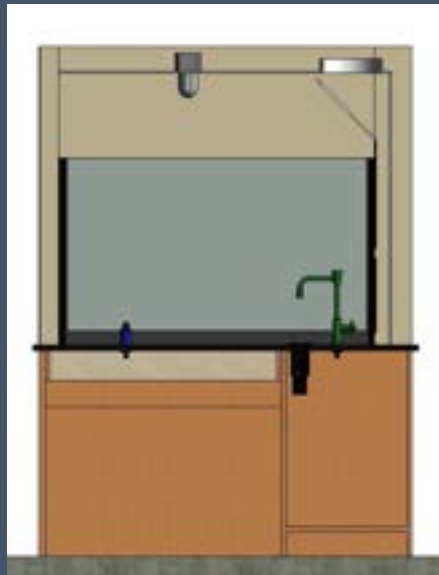
LEONARD PETERSON & COMPANY, INC.

P.O. BOX 2277, AUBURN, ALABAMA 36831-2277

334-821-6832 [www.lpco.com](http://www.lpco.com)

# Fume Hoods

**FHD-1370** Demonstration Fume Hood is ideal for classroom use and is provided with sash opening and cabinet openings on both faces. One end of the fume hood can be provided with a viewing window (for demo island applications) or solid panel (for pass-thru wall applications). Top is flat epoxy resin. Superstructure is provided with 12" diameter duct collar and vapor proof incandescent light fixture (bulb not included).



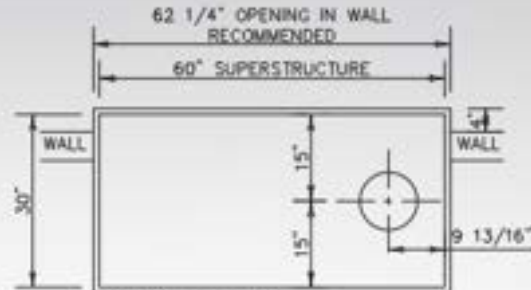
Equipment: (1) 12" diameter epoxy resin sink with sink outlet, (1) cold water faucet, (2) gas cocks, (2) light switches (3-way), and (2) GFI duplex electric receptacles.

## Demonstration Fume Hoods

HOOD SIZE	COLLAR SIZE	75 PFM		100 PFM		125 PFM		150 PFM	
		CFM	S.P.	CFM	S.P.	CFM	S.P.	CFM	S.P.
48"	10" DIA.	569	.24	758	.43	948	.67	1138	.97
60"	10" DIA.	744	.41	992	.74	1239	1.15	1487	1.66



10"Ø EXHAUST DUCT  
STUB 84" A.F.F.  
**FHD-1362**



10"Ø EXHAUST DUCT  
STUB 84" A.F.F.  
**FHD-1372**

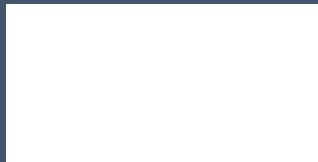




# Fume Hoods

## Fume Hood Color Selector

Colors in print vary from actual physical paint color. Physical Samples are available upon request.



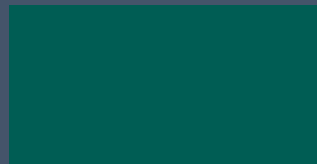
**E-9132**  
**Appliance White**



**E-2439**  
**Dark Taupe**



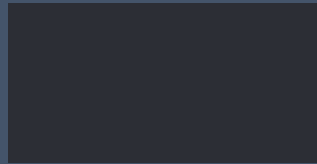
**E-7688**  
**Light Almond**



**E-5091**  
**Green**



**E-8389**  
**Ivory**



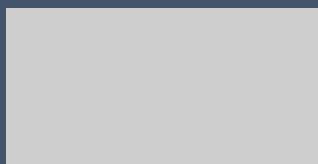
**E-3037**  
**Black**



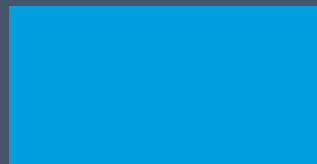
**E-5809**  
**Beige**



**E-10289**  
**Light Blue**



**E-6328**  
**Off White**



**E-5610**  
**Sea Blue**



**E-2731**  
**Platinum**



**E-6320**  
**Deep Blue**



**E-2702**  
**Matte Grey**



**E-7065**  
**Burgundy**



# Safety Equipment

- Because most laboratory environments involve the use of potentially dangerous chemicals, Leonard Peterson offers an extensive line of safety equipment and storage.
- Chemical Storage cases can be provided in wood or steel. They can be provided as free standing or under counter.
- Chemical storage cases can be provided to store acids, corrosives, flammables, poisons, oxidizers and many other harmful chemicals.
- Open storage shelving provided with durable acid resistant finish.





# Safety Equipment

## Corrosive/Acid Storage (Wood)

The cabinets described on this page are constructed of 1" thick high density 9-ply plywood. They have no internal metal parts which can be attacked by fumes causing corrosion. Units are finished with epoxy paint in various colors indicated. All cabinets meet NFPA and OSHA standards.

This unit can be used for corrosive or acid storage.



Model	W	D	H	Storage (Liters)	DESCRIPTION
SC1423	24"	22"	35.5"	22 x 2.5L	Partially lined, single door, right hinge.
SC1424	24"	22"	35.5"	22 x 2.5L	Partially lined, single door, left hinge.
SC1430	30"	22"	35.5"	28 x 2.5L	Partially lined, double door.
SC1436	36"	22"	35.5"	34 x 2.5L	Partially lined, double door.
SC1448	48"	22"	35.5"	48 x 2.5L	Partially lined, double door.

## Flammable Storage (Wood)

The cabinets described on this page are constructed of 1" thick high density 9-ply plywood. They have no internal metal parts which can be attacked by fumes causing corrosion. Units are finished with epoxy paint in various colors indicated. All cabinets meet NFPA and OSHA standards.



Model	W	D	H	Storage (Gallons)	DESCRIPTION
SC1822	24"	22"	35.5"	24 G	Partially lined, single door, right hinge.
SC1824	24"	22"	35.5"	24 G	Partially lined, single door, left hinge.
SC1830	30"	22"	35.5"	28 G	Partially lined, double door.
SC1836	36"	22"	35.5"	32 G	Partially lined, double door.
SC1848	48"	22"	35.5"	52 G	Partially lined, double door.



LEONARD PETERSON & COMPANY, INC.

P.O. BOX 2277, AUBURN, ALABAMA 36831-2277

334-821-6832 [www.lpco.com](http://www.lpco.com)

# Safety Equipment

## Stackable Safety Storage Cabinets (Wood)

The cabinets shown are stackable or can be used as free standing units. Each unit is 48" long x 18" high x 18" deep. Each unit can hold 16 gallons or 22 x 2.5 liter containers.

Model	W	D	H	DESCRIPTION
SC1460	48"	18"	18"	Corrosive
SC1860	48"	18"	18"	Flammable
SC1861	48"	18"	4"	Floor base
SC2060	48"	18"	18"	Combination
SC3000	48"	18"	58"	Complete stacked unit



## Mobile Safety Storage Cabinets (Wood)

The cabinets shown are movable on locking casters and are ideal for storage beneath knee spaces and fume hoods.

Model	W	D	H	DESCRIPTION
SC3010	36"	22"	26.5"	Flammable
SC3015	36"	22"	26.5"	Corrosive/Acid
SC3050	36"	22"	26.5"	Combination



Cabinet shown is flammable (yellow). Also available in corrosive/acid (blue) and combination storage.





# Safety Equipment

## Corrosive/Acid Storage (Metal)

Cabinets are double wall metal construction with bases provided with adjustable leveling glides. Cabinets furnished in blue corrosive resistant enamel, furnished with stainless steel trays with polypropylene linings, and labeled "Caution Corrosives" unless otherwise specified.

Model	W	D	H	Storage (gallons)	DESCRIPTION
B-1230	35"	22"	34.5"	24	Under counter.
B-1231	47"	22"	34.5"	30	Under counter.
B-1232	43"	18"	44"	30	Free standing.
B-1233	43"	18"	65"	45	Free standing.



## Flammable Storage (Metal)

Cabinets are double wall metal construction with bases provided with adjustable leveling glides. Cabinets furnished in caution yellow enamel and labeled "Flammable - Keep Fire Away" unless otherwise specified.

Model	W	D	H	Storage (Gallons)	DESCRIPTION
B-1235	35"	22"	34.5"	24	Under counter.
B-1236	47"	22"	34.5"	30	Under counter.
B-1237	43"	18"	44"	30	Free standing.
B-1238	43"	18"	65"	45	Free standing.



# Safety Equipment

## Reagent Shelving

Reagent shelving is constructed of northern hard maple and finished with black acid resistant finish. No backs are included. Units can be wall mounted or floor mounted.

Model	W	D	H
B-1410	36"	5"	84"
B-1410-8	36"	8"	84"
B-1411	48"	5"	84"
B-1411-8	48"	5"	84"
B-1412	36"	5"	30"
B-1412-8	36"	8"	30"
B-1413	48"	5"	30"
B-1413-8	48"	5"	30"



**Adjustable Wall Shelving** can be provided in a wide variety of lengths, heights and depths. Lengths vary from 2'0" up to 4'0" in six inch increments. Shelf depths are either 1'0" or 1'4". Heights are 7'0" having five adjustable shelves, 4'0" having three adjustable shelves, and 3'0" having two adjustable shelves.

All shelves are plastic laminate with PVC edge bandings. Shelf standards and support brackets are heavy duty chrome plated steel.



AWS481248 as shown





# Safety Equipment

**Safety Goggle Case** is of steel reinforced construction designed to store, control, and sanitize protective goggles. Unit furnished with automatic timer control operating a germicidal lamp which sanitizes eyewear. Lamp is fully shielded from eyes. Case is completely factory assembled, pre-wired, and doors are equipped with locks. UL approved. Capacity: 30 goggles.

W: 24 1/2" D: 9 1/2" H: 32"

**B-1255:** Furnished with 30 goggles.

**B-1256:** Furnished without goggles.



**B-1248 Fire Blanket Case** contains a safety blanket for emergency use to wrap an injured person or smother gases and fire. Unit furnished with woolen blanket.

W: 13 1/4" D: 5 1/4" H: 16 1/4"



**B-1249 First Aid Kit** contains an assortment of components such as sterile bandages, gauze pads, iodine, cold pack, ammonia inhalants and other items useful in First Aid emergencies. Kit designed to detach from wall mounting and is provided with handle for carrying purposes.

W: 14" D: 2 5/8" H: 9 1/2"



# Base Cabinets

Standard base, wall and tall cases have a numbering system that works as follows...

# A362136

STYLE WIDTH DEPTH HEIGHT

21" deep are shown throughout, 15" deep is also available.



'A' Style

A122130, A122134, A122136, A152130, A152134, A152136, A182130, A182134, A182136, A212130, A212134, A212136, A242130, A242134, A242136, A272130, A272134, A272136, A302130, A302134, A302136, A332130, A332134, A332136, A362130, A362134, A362136, A392130, A392134, A392136, A422130, A422134, A422136, A452130, A452134, A452136, A482130, A482134, A482136



'B' Style

B272130, B272134, B272136  
B302130, B302134, B302136  
B332130, B332134, B332136  
B362130, B362134, B362136  
B392130, B392134, B392136  
B422130, B422134, B422136  
B452130, B452134, B452136  
B482130, B482134, B482136



B122130, B122134, B122136  
B152130, B152134, B152136  
B182130, B182134, B182136  
B212130, B212134, B212136  
B242130, B242134, B242136

Add the suffix "R" to have the pull on the right side.



'C' Style

C272130, C272134, C272136  
C302130, C302134, C302136  
C332130, C332134, C332136  
C362130, C362134, C362136  
C392130, C392134, C392136  
C422130, C422134, C422136  
C452130, C452134, C452136  
C482130, C482134, C482136



C122130, C122134, C122136  
C152130, C152134, C152136  
C182130, C182134, C182136  
C212130, C212134, C212136  
C242130, C242134, C242136

Add the suffix "R" to have the pull on the right side.



'CL' Style

CL272130, CL272134, CL272136  
CL302130, CL302134, CL302136  
CL332130, CL332134, CL332136  
CL362130, CL362134, CL362136  
CL392130, CL392134, CL392136  
CL422130, CL422134, CL422136  
CL452130, CL452134, CL452136  
CL482130, CL482134, CL482136



'CR' Style

CR272130, CR272134, CR272136  
CR302130, CR302134, CR302136  
CR332130, CR332134, CR332136  
CR362130, CR362134, CR362136  
CR392130, CR392134, CR392136  
CR422130, CR422134, CR422136  
CR452130, CR452134, CR452136  
CR482130, CR482134, CR482136



LEONARD PETERSON & COMPANY, INC.

P.O. BOX 2277, AUBURN, ALABAMA 36831-2277

334-821-6832 [www.lpc.com](http://www.lpc.com)



# Base Cabinets

## 'CX' Style



CX272130, CX272134, CX272136  
 CX302130, CX302134, CX302136  
 CX332130, CX332134, CX332136  
 CX362130, CX362134, CX362136  
 CX392130, CX392134, CX392136  
 CX422130, CX422134, CX422136  
 CX452130, CX452134, CX452136  
 CX482130, CX482134, CX482136

## 'CX' Style



CX122130, CX122134, CX122136  
 CX152130, CX152134, CX152136  
 CX182130, CX182134, CX182136  
 CX212130, CX212134, CX212136  
 CX242130, CX242134, CX242136

Add the suffix "R" to have the pull on the right side.

## 'D' Style



D122130, D122134, D122136  
 D152130, D152134, D152136  
 D182130, D182134, D182136  
 D212130, D212134, D212136  
 D242130, D242134, D242136

D272130, D272134, D272136, D302130, D302134, D302136  
 D332130, D332134, D332136, D362130, D362134, D362136  
 D392130, D392134, D392136, D422130, D422134, D422136  
 D452130, D452134, D452136, D482130, D482134, D482136

One pull per drawer for 12-24 wide. Two pulls per drawer for 27-48 wide.

## 'DX' Style



DX122130, DX122134, DX122136  
 DX152130, DX152134, DX152136  
 DX182130, DX182134, DX182136  
 DX212130, DX212134, DX212136  
 DX242130, DX242134, DX242136

DX272130, DX272134, DX272136, DX302130, DX302134, DX302136  
 DX332130, DX332134, DX332136, DX362130, DX362134, DX362136  
 DX392130, DX392134, DX392136  
 DX422130, DX422134, DX422136, DX452130, DX452134, DX452136  
 DX482130, DX482134, DX482136

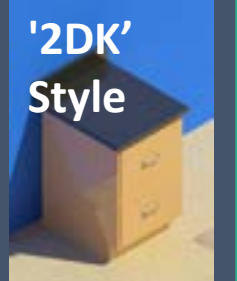
One pull per drawer for 12-24 wide. Two pulls per drawer for 27-48 wide.

## 'DK' Style



DK122130, DK122134, DK122136  
 DK152130, DK152134, DK152136  
 DK182130, DK182134, DK182136  
 DK212130, DK212134, DK212136  
 DK242130, DK242134, DK242136

## '2DK' Style



2DK122130, 2DK122134, 2DK122136  
 2DK152130, 2DK152134, 2DK152136  
 2DK182130, 2DK182134, 2DK182136  
 2DK212130, 2DK212134, 2DK212136  
 2DK242130, 2DK242134, 2DK242136

## '3D' Style



3D122130, 3D122134, 3D122136  
 3D152130, 3D152134, 3D152136  
 3D182130, 3D182134, 3D182136  
 3D212130, 3D212134, 3D212136  
 3D242130, 3D242134, 3D242136

3D272130, 3D272134, 3D272136, 3D302130, 3D302134, 3D302136  
 3D332130, 3D332134, 3D332136, 3D362130, 3D362134, 3D362136  
 3D392130, 3D392134, 3D392136  
 3D422130, 3D422134, 3D422136, 3D452130, 3D452134, 3D452136  
 3D482130, 3D482134, 3D482136

One pull per drawer for 12-24 wide. Two pulls per drawer for 27-48 wide.



LEONARD PETERSON & COMPANY, INC.

P.O. BOX 2277, AUBURN, ALABAMA 36831-2277

334-821-6832 [www.lpco.com](http://www.lpco.com)

# Base Cabinets

## '5D' Style



5D122130, 5D122134, 5D122136  
5D152130, 5D152134, 5D152136  
5D182130, 5D182134, 5D182136  
5D212130, 5D212134, 5D212136  
5D242130, 5D242134, 5D242136

5D272130, 5D272134, 5D272136, 5D302130, 5D302134,  
5D302136, 5D332130, 5D332134, 5D332136, 5D362130,  
5D362134, 5D362136, 5D392130, 5D392134, 5D392136  
5D422130, 5D422134, 5D422136, 5D452130, 5D452134,  
5D452136, 5D482130, 5D482134, 5D482136

One pull per drawer for 12-24 wide. Two pulls per drawer for 27-48 wide.

## '6D' Style



6D122130, 6D122134, 6D122136  
6D152130, 6D152134, 6D152136  
6D182130, 6D182134, 6D182136  
6D212130, 6D212134, 6D212136  
6D242130, 6D242134, 6D242136

6D272130, 6D272134, 6D272136, 6D302130, 6D302134,  
6D302136, 6D332130, 6D332134, 6D332136, 6D362130,  
6D362134, 6D362136, 6D392130, 6D392134, 6D392136,  
6D422130, 6D422134, 6D422136, 6D452130, 6D452134,  
6D452136, 6D482130, 6D482134, 6D482136

One pull per drawer for 12-24 wide. Two pulls per drawer for 27-48 wide.

## '8D' Style



8D122130, 8D122134, 8D122136  
8D152130, 8D152134, 8D152136  
8D182130, 8D182134, 8D182136  
8D212130, 8D212134, 8D212136  
8D242130, 8D242134, 8D242136

8D272130, 8D272134, 8D272136, 8D302130, 8D302134,  
8D302136, 8D332130, 8D332134, 8D332136, 8D362130,  
8D362134, 8D362136, 8D392130, 8D392134, 8D392136,  
8D422130, 8D422134, 8D422136, 8D452130, 8D452134,  
8D452136, 8D482130, 8D482134, 8D482136

One pull per drawer for 12-24 wide. Two pulls per drawer for 27-48 wide.

## 'F' Style



F122130, F122134, F122136  
F152130, F152134, F152136  
F182130, F182134, F182136  
F212130, F212134, F212136  
F242130, F242134, F242136

F272130, F272134, F272136, F302130, F302134, F302136,  
F332130, F332134, F332136, F362130, F362134, F362136,  
F392130, F392134, F392136, F422130, F422134, F422136,  
F452130, F452134, F452136, F482130, F482134, F482136,

One pull per drawer for 12-24 wide. Two pulls per drawer for 27-48 wide.

## '2F' Style



2F122130, 2F122134, 2F122136  
2F152130, 2F152134, 2F152136  
2F182130, 2F182134, 2F182136  
2F212130, 2F212134, 2F212136  
2F242130, 2F242134, 2F242136

2F272130, 2F272134, 2F272136, 2F302130, 2F302134,  
2F302136, 2F332130, 2F332134, 2F332136, 2F362130,  
2F362134, 2F362136, 2F392130, 2F392134, 2F392136,  
2F422130, 2F422134, 2F422136, 2F452130, 2F452134,  
2F452136, 2F482130, 2F482134, 2F482136

One pull per drawer for 12-24 wide. Two pulls per drawer for 27-48 wide.





# Base Cabinets

'E' Style



E272130, E272134, E272136  
E302130, E302134, E302136  
E332130, E332134, E332136  
E362130, E362134, E362136  
E392130, E392134, E392136  
E422130, E422134, E422136  
E452130, E452134, E452136  
E482130, E482134, E482136

'E' Style



E122130, E122134, E122136  
E152130, E152134, E152136  
E182130, E182134, E182136  
E212130, E212134, E212136  
E242130, E242134, E242136

Add the suffix "R" to have the pull on the right side.

'E' Style



E522130, E522134, E522136  
E582130, E582134, E582136

'ES' Style



ES522130, ES522134, ES522136  
ES582130, ES582134, ES582136

'FL' Style



FL272130, FL272134, FL272136  
FL302130, FL302134, FL302136  
FL332130, FL332134, FL332136  
FL362130, FL362134, FL362136  
FL392130, FL392134, FL392136  
FL422130, FL422134, FL422136  
FL452130, FL452134, FL452136  
FL482130, FL482134, FL482136

'FR' Style



FR272130, FR272134, FR272136  
FR302130, FR302134, FR302136  
FR332130, FR332134, FR332136  
FR362130, FR362134, FR362136  
FR392130, FR392134, FR392136  
FR422130, FR422134, FR422136  
FR452130, FR452134, FR452136  
FR482130, FR482134, FR482136

'HP' Style



HP272130, HP272134, HP272136  
HP302130, HP302134, HP302136  
HP332130, HP332134, HP332136  
HP362130, HP362134, HP362136  
HP392130, HP392134, HP392136  
HP422130, HP422134, HP422136  
HP452130, HP452134, HP452136  
HP482130, HP482134, HP482136

'18HT'  
Style



18HT482136

'24HT'  
Style



24HT482136

'I' Style



I272130, I272134, I272136  
I302130, I302134, I302136  
I332130, I332134, I332136  
I362130, I362134, I362136  
I392130, I392134, I392136  
I422130, I422134, I422136  
I452130, I452134, I452136  
I482130, I482134, I482136



LEONARD PETERSON & COMPANY, INC.

P.O. BOX 2277, AUBURN, ALABAMA 36831-2277

334-821-6832 [www.lpc.com](http://www.lpc.com)

# Base Cabinets



'OB' Style

OB292930, OB292934, OB292936



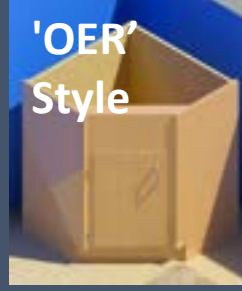
'OBR' Style

OBR292930, OBR292934, OBR292936



'OE' Style

OE292930, OE292934, OE292936



'OER' Style

OER292930, OER292934, OER292936



'P' Style

P212430, P212434, P212436, P242430, P242434, P242436, P272430, P272434, P272436, P302430, P302434, P302436, P332430, P332434, P332436, P362430, P362434, P362436, P392430, P392434, P392436, P422430, P422434, P422436, P452430, P452434, P452436, P482430, P482434, P482436

24" Is based on typical countertop depth. Other depths available.



'Q' Style

Q212430, Q212434, Q212436, Q242430, Q242434, Q242436, Q272430, Q272434, Q272436, Q302430, Q302434, Q302436, Q332430, Q332434, Q332436, Q362430, Q362434, Q362436, Q392430, Q392434, Q392436, Q422430, Q422434, Q422436, Q452430, Q452434, Q452436, Q482430, Q482434, Q482436

24" Is based on typical countertop depth. Other depths available.



'R' Style

R212430, R212434, R212436, R242430, R242434, R242436, R272430, R272434, R272436, R302430, R302434, R302436, R332430, R332434, R332436, R362430, R362434, R362436, R392430, R392434, R392436, R422430, R422434, R422436, R452430, R452434, R452436, R482430, R482434, R482436

24" Is based on typical countertop depth. Other depths available.





# Base Cabinets

## 'P-HC' Style



P302430-HC, P302434-HC, P332430-HC, P332434-HC, P362430-HC, P362434-HC, P392430-HC, P392434-HC, P422430-HC, P422434-HC, P452430-HC, P452434-HC, P482430-HC, P482434-HC

24" Is based on typical countertop depth. Other depths available.

ADA guidelines require this space to be 30" wide minimum.

## 'PX' Style



PX302430, PX302434 PX332430, PX332434 PX362430, PX362434 PX392430, PX392434 PX422430, PX422434 PX452430, PX452434 PX482430, PX482434

24" Is based on typical countertop depth. Other depths available.

ADA guidelines require this space to be 30" wide minimum.



LEONARD PETERSON & COMPANY, INC.

P.O. BOX 2277, AUBURN, ALABAMA 36831-2277

334-821-6832 [www.lpco.com](http://www.lpco.com)

# Wall Cabinets

Standard base, wall and tall cases have a numbering system that works as follows...

# OH361230

STYLE          WIDTH          DEPTH          HEIGHT

12" deep is shown throughout, 16" deep is also available.

## 'OH' Style



### NO SHELF –

OH121218, OH151218, OH181218,  
OH211218, OH241218, OH271218  
OH301218, OH331218, OH361218,  
OH391218, OH421218, OH451218,  
OH481218

## 'OH' Style



### 1 SHELF –

OH121224, OH151224, OH181224,  
OH211224, OH241224, OH271224,  
OH301224, OH331224, OH361224,  
OH391224, OH421224, OH451224,  
OH481224

## 'OH' Style



### 2 SHELVES –

OH121230, OH151230, OH181230,  
OH211230, OH241230, OH271230,  
OH301230, OH331230, OH361230,  
OH391230, OH421230, OH451230,  
OH481230

## 'OH' Style



### 3 SHELVES –

OH121248, OH151248, OH181248,  
OH211248, OH241248, OH271248,  
OH301248, OH331248, OH361248,  
OH391248, OH421248, OH451248,  
OH481248

## 'HW' Style



### NO SHELF –

HW271218, HW301218,  
HW331218, HW361218,  
HW391218, HW421218,  
HW451218, HW481218

## 'HW' Style



### NO SHELF –

HW121218, HW151218, HW181218,  
HW211218, HW241218

Add the suffix "R" to have the pull on the right side.

## 'HW' Style



### 1 SHELF –

HW271224, HW301224  
HW331224, HW361224,  
HW391224, HW421224,  
HW451224, HW481224

## 'HW' Style



### 1 SHELF –

HW121224, HW151224, HW181224,  
HW211224, HW241224

Add the suffix "R" to have the pull on the right side.



LEONARD PETERSON & COMPANY, INC.

P.O. BOX 2277, AUBURN, ALABAMA 36831-2277

334-821-6832 [www.lpc.com](http://www.lpc.com)

11.6



# Wall Cabinets

## 'HW' Style



2 SHELVES –  
HW271230, HW301230,  
HW331230, HW361230,  
HW391230, HW421230,  
HW451230, HW481230

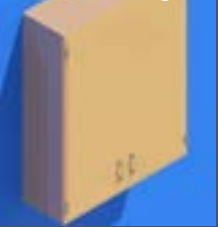
## 'HW' Style



2 SHELVES –  
HW121230, HW151230, HW181230,  
HW211230, HW241230

Add the suffix "R" to have the pull on the right side.

## 'HW' Style



3 SHELVES –  
HW271248, HW301248,  
HW331248, HW361248,  
HW391248, HW421248,  
HW451248, HW481248

## 'HW' Style



3 SHELVES –  
HW121248, HW151248, HW181248,  
HW211248, HW241248

Add the suffix "R" to have the pull on the right side.

## 'HG' Style



NO SHELF –  
HG271218, HG301218, HG331218,  
HG361218, HG391218, HG421218,  
HG451218, HG481218

## 'HG' Style



NO SHELF –  
HG121218, HG151218, HG181218,  
HG211218, HG241218

Add the suffix "R" to have the pull on the right side.

## 'HG' Style



1 SHELF –  
HG271224, HG301224, HG331224,  
HG361224, HG391224, HG421224,  
HG451224, HG481224

## 'HG' Style



1 SHELF –  
HG121224, HG151224, HG181224,  
HG211224, HG241224

Add the suffix "R" to have the pull on the right side.

## 'HG' Style



2 SHELVES –  
HG271230, HG301230, HG331230,  
HG361230, HG391230, HG421230,  
HG451230, HG481230

## 'HG' Style



2 SHELVES –  
HG121230, HG151230, HG181230,  
HG211230, HG241230

Add the suffix "R" to have the pull on the right side.



LEONARD PETERSON & COMPANY, INC.

P.O. BOX 2277, AUBURN, ALABAMA 36831-2277

334-821-6832 [www.lpco.com](http://www.lpco.com)

# Wall Cabinets

'HG' Style



3 SHELVES –  
HG271248, HG301248, HG331248,  
HG361248, HG391248, HG421248,  
HG451248, HG481248

'HG' Style



3 SHELVES –  
HG121248, HG151248, HG181248,  
HG211248, HG241248

Add the suffix "R" to have the pull  
on the right side.

'SW' Style



NO SHELF –  
SW271218, SW301218, SW331218,  
SW361218, SW391218, SW421218,  
SW451218, SW481218

'SW' Style



1 SHELF –  
SW271224, SW301224, SW331224,  
SW361224, SW391224, SW421224,  
SW451224, SW481224

'SW' Style



2 SHELVES –  
SW271230, SW301230, SW331230,  
SW361230, SW391230, SW421230,  
SW451230, SW481230

'SW' Style



3 SHELVES –  
SW271248, SW301248, SW331248,  
SW361248, SW391248, SW421248,  
SW451248, SW481248

'SG' Style



NO SHELF –  
SG271218, SG301218, SG331218,  
SG361218, SG391218, SG421218,  
SG451218, SG481218

'SG' Style



1 SHELF –  
SG271224, SG301224, SG331224,  
SG361224, SG391224, SG421224,  
SG451224, SG481224

'SG' Style



2 SHELVES –  
SG271230, SG301230, SG331230,  
SG361230, SG391230, SG421230,  
SG451230, SG481230

'SG' Style



3 SHELVES –  
SG271248, SG301248, SG331248,  
SG361248, SG391248, SG421248,  
SG451248, SG481248





# Wall Cabinets

'GS' Style



NO SHELF –  
GS271218, GS301218, GS331218,  
GS361218, GS391218, GS421218,  
GS451218, GS481218

'GS' Style



1 SHELF –  
GS271224, GS301224, GS331224,  
GS361224, GS391224, GS421224,  
GS451224, GS481224

'GS' Style



2 SHELVES –  
GS271230, GS301230, GS331230,  
GS361230, GS391230, GS421230,  
GS451230, GS481230

'GS' Style



3 SHELVES –  
GS271248, GS301248, GS331248,  
GS361248, GS391248, GS421248,  
GS451248, GS481248

'WWC' Style



NO SHELF –  
WWC242418, WWC282818

Add the suffix "R" to have the pull on the right side.

'WWC' Style



1 SHELF –  
WWC242424, WWC282824

Add the suffix "R" to have the pull on the right side.

'WWC' Style



2 SHELVES –  
WWC242430, WWC282830

Add the suffix "R" to have the pull on the right side.

'WWC' Style



3 SHELVES –  
WWC242448, WWC282848

Add the suffix "R" to have the pull on the right side.

'WGC' Style



NO SHELF –  
WGC242418,  
WGC282818

Add the suffix "R" to have the pull on the right side.

'WGC' Style



1 SHELF –  
WGC242424, WGC282824

Add the suffix "R" to have the pull on the right side.



# Wall Cabinets

'WGC'  
Style



2 SHELVES –  
WGC242430, WGC282830

Add the suffix "R" to have the  
pull on the right side.

'WGC'  
Style



3 SHELVES –  
WGC242448, WGC282848

Add the suffix "R" to have the pull  
on the right side.





# Tall Cases

Standard base, wall and tall cases have a numbering system that works as follows...

# OS362384

STYLE      WIDTH      DEPTH      HEIGHT

*23" deep is shown throughout, 12" and 16" deep are also available.*

## 'OS' Style



OS122384, OS152384, OS182384, OS212384, OS242384, OS272384, OS302384, OS332384, OS362384, OS392384, OS422384, OS452384, OS482384

## 'HW' Style



HW272384, HW302384, HW332384, HW362384, HW392384, HW422384, HW452384, HW482384

## 'HW' Style



HW122384, HW152384, HW182384, HW212384, HW242384

Add the suffix "R" to have the pull on the right side.

## 'HG' Style



HG272384, HG302384, HG332384, HG362384, HG392384, HG422384, HG452384, HG482384

## 'HG' Style



HG122384, HG152384, HG182384, HG212384, HG242384

Add the suffix "R" to have the pull on the right side.

## 'BL' Style



BL272384, BL302384, BL332384, BL362384, BL392384, BL422384, BL452384, BL482384

## 'BR' Style



BR272384, BR302384, BR332384, BR362384, BR392384, BR422384, BR452384, BR482384



LEONARD PETERSON & COMPANY, INC.

P.O. BOX 2277, AUBURN, ALABAMA 36831-2277

334-821-6832 [www.lpco.com](http://www.lpco.com)

11.11

# Tall Cases

## 'SW' Style



SW272384, SW302384, SW332384,  
SW362384, SW392384, SW422384,  
SW452384, SW482384

## 'SG' Style



SG272384, SG302384, SG332384,  
SG362384, SG392384, SG422384,  
SG452384, SG482384





# Alphabetical Index

## Accessories:

Counter Tops.....	7.1
Cross Bars and Rods.....	8.5
Electrical Fittings.....	8.6
Fume Hoods.....	9.1-9.6
Gas, Air & Vacuum Fixtures.....	8.3
Peg Boards.....	7.4
Reagent Racks.....	4.17
Safety Equipment.....	8.4, 10.1-10.6
Sinks.....	7.2, 7.3
Water Fixtures.....	8.2,8.3
Acid Storage.....	10.2-10.4
Adjustable Shelving .....	10.5
Air Fixtures.....	8.3
Auxiliary Tables .....	6.1, 6.2
Base Units, Science Tables .....	4.11-4.20
Base Units, Sectional .....	1.1-1.15
Carts .....	6.4
Cases	
Chemical.....	10.2-10.4
Corner, Blind.....	1.4, 1.11, 3.4
Counter Mounted .....	2.3-2.10
Exhibit .....	3.5, 3.6
Glass Tubing .....	3.6
Goggle .....	10.6
Microscope Storage .....	3.6, 3.8
Notebook .....	3.5
Skeleton .....	3.5
Storage /Supply.....	3.1-3.9
Torso .....	3.6
Tote Tray .....	1.11, 3.6-3.8
Wall .....	2.1-2.10
Wardrobe .....	3.5, 3.7
Corrosive Storage Cabinets .....	10.2-10.4
Crossbars & Support Rods.....	8.5
Demonstration Desks.....	5.1-5.6
Demonstration Fume Hood.....	9.5

Desks, Record .....	5.4
Distilled Water Fixtures .....	8.3
Electrical Fixtures .....	8.6
Emergency Equipment .....	8.4
Emergency Shower & Eyewash.....	8.4
Exhibit Cases .....	3.5, 3.6
Fire Blankets .....	10.6
First Aid Kit.....	10.6
Fixed Shelving.....	10.5
Fixtures:	
Electrical.....	8.6
Gas .....	8.3
Water .....	8.2, 8.3
Flammable Storage Cabinets .....	10.2-10.4
Fume Hoods .....	9.1-9.6
Gas Fixtures .....	8.3
General Science Tables .....	4.11-4.20
Glass Tubing Case .....	3.6
Goggle Case .....	10.6
Instructor's Demonstration Desk .....	5.1-5.6
Laboratory Tables, Student .....	4.2-4.10
Lecture / Demonstration Desks.....	5.1-5.6
Microscope Cases.....	3.6, 3.8
Mobile Cases.....	6.1-6.4
Movable Carts.....	6.4
Notebook Storage .....	3.5
Outlets, Sink.....	7.2, 7.3
Pedestal Base Tables.....	4.19, 4.20
Peg Boards.....	7.4
Perimeter Student Tables.....	4.11
Plant Study Units.....	6.4



# Alphabetical Index

Plumbing Fixtures .....	8.1-8.4
Portable Carts .....	6.4
Portable Demonstration Desks.....	6.1, 6.2
Record Desk.....	5.4
Reagent Shelving.....	10.5
Safety Cabinets & Showers .....	74
Safety Equipment.....	8.4, 10.1-10.6
Service Island	
Shelving:	
Reagent .....	10.5
Adjustable .....	10.5
Sinks:	
Epoxy Resin.....	7.1, 7.2
Stainless Steel.....	7.3, 7.4
Skeleton.....	3.5
Solvent Storage.....	10.1-10.5
Storage/Supply Cases.....	3.1-3.9
Storage, Tote Tray.....	1.11, 3.7, 3.8
Student Tables	
Biology.....	4.11-4.20
Chemistry.....	4.11-4.20
Skeleton.....	3.5
Solvent Storage.....	10.1-10.5
Storage/Supply Cases.....	3.1-3.9
Storage, Tote Tray.....	1.11, 3.7, 3.8
Student Tables	
Biology.....	4.11-4.20
Chemistry.....	4.11-4.20
Combination Science.....	4.11-4.20
General Science.....	4.1-4.20
Perimeter Type .....	4.11
Supply Cases.....	3.1-3.9
Tables:	
Auxiliary .....	6.2
Biology.....	4.11-4.20
Chemistry.....	4.11-4.20
Combination Science.....	4.11-4.20

General Science .....	4.1-4.20
Instructor's .....	5.1-5.6
Perimeter.....	4.11
Physics .....	4.11-4.20
Utility.....	4.2-4.10
Tote Tray Cases.....	1.11, 3.6-3.8
Utility Carts.....	6.1, 6.2, 6.4
Vacuum Breakers.....	8.4
Vacuum Fixtures.....	8.3
Wall Cases.....	2.1-2.10
Wall Shelves.....	10.5
Wall Tables, Laboratory.....	4.14
Wardrobe Cases.....	3.5, 3.7
Water Fixtures.....	8.2, 8.3





# Numerical Index

18HT482136.....	1.11, 11.4
24HT482136.....	1.11, 11.4
2DK121530-2DK242136.....	1.6, 11.2
2F121530-2F242136.....	1.9, 11.3
3D121530-3D482136.....	1.7, 11.2
5D121530-5D482136.....	1.7, 11.2
6D121530-6D482136.....	1.8, 11.3
8D121530-8D482136.....	1.8, 11.3
A121230-A482136.....	1.3, 11.1
A-2211 through A-2218.....	7.3
A-558.....	8.5
A-559.....	8.5
A-561.....	8.5
A-560-36.....	8.5
A-460A-GFI.....	8.6
A-460B-GFI.....	8.6
A-460C-GFI.....	8.6
A-460D-GFI.....	8.6
A-465D.....	8.6
A-460E-GFI.....	8.6
A-460F-GFI.....	8.6
A-460G-GFI.....	8.6
A-460H-GFI.....	8.6
AWS (Adj. Wall Shelving).....	10.5
B-1000.....	5.2
B-1000-R.....	5.2
B-1001.....	5.2
B-1001-R.....	5.2
B-1003.....	5.2
B-1003-R.....	5.2
B-1008.....	6.1
B-1009.....	6.1
B-1010.....	5.3
B-1010-R.....	5.3
B-1021.....	5.3
B-1021-R.....	5.3
B-1030.....	5.4
B-1030-R.....	5.4
B-1031.....	5.4
B-1031-R.....	5.4

B-1035.....	6.2
B-1041.....	6.4
B-1052.....	6.1
B-1055.....	6.1
B-1056.....	6.1
B-1057.....	6.2
B-1081.....	6.4
B121530-B482136.....	1.3, 11.1
B-1230.....	10.4
B-1231.....	10.4
B-1232.....	10.4
B-1233.....	10.4
B-1235.....	10.4
B-1236.....	10.4
B-1237.....	10.4
B-1238.....	10.4
B-1244-HC.....	8.4
B-1248.....	10.6
B-1249.....	10.6
B-1255.....	10.6
B-1256.....	10.6
B-1281 through B-1289.....	7.4
B-1410 through B-1413-8.....	10.5
B-1450.....	3.5
B-1452.....	3.5
B-1453.....	3.5
B-1454.....	3.6
B-1455.....	3.6
B-1456.....	3.6
B-1457.....	3.6
B-1458.....	3.7
B-1483.....	3.7
B-1484.....	3.7
B-1485.....	3.7
B-1486.....	3.7
B-1487.....	3.7
B-1488.....	3.7
B-1490.....	3.7
B-1491.....	3.8
B-1492.....	3.8



# Numerical Index

B-1601.....	5.5
B-1602.....	5.5
B-1605.....	5.5
B-1608.....	5.6
B-1855.....	3.8
B-1856.....	3.8
B-2958 through B-2975.....	4.2
B-2920 through B-2935.....	4.3
B-2940 through B-2955.....	4.4
B-500.....	4.11
B-520.....	4.11
B-530.....	4.11
B-540.....	4.12
B-550.....	4.12
B-560.....	4.12
B-541.....	4.13
B-551.....	4.13
B-561.....	4.13
B-580.....	4.14
B-657-36.....	4.14
B-700-36.....	4.15
B-702-36.....	4.15
B-724-36.....	4.16
B-726-36.....	4.16
B-747.....	4.19
B-749.....	4.19
B-747X.....	4.19
B-795.....	4.10
B-799-36.....	4.18
B-799-34.....	4.18
B-800-36.....	4.17
B-802-36.....	4.17
BC-2958 through BC-2975.....	4.5
BL271284-BL482384.....	3.4, 11.11
BR271284-BR482384.....	3.4, 11.11
C121530-C482136.....	1.4, 11.1
CL271530-CL482136.....	1.4, 11.1
CR271530-CR482136.....	1.4, 11.1
CX121530-CX482136.....	1.5, 11.1
D121530-D482136.....	1.5, 11.2

DK121530-DK242136.....	1.6, 11.2
DX121530-DX482136.....	1.6, 11.2
E121530-E582136.....	1.10, 11.3, 11.4
ES401530-ES582136.....	1.10, 11.4
F121530-F242136.....	1.9, 11.3
FAF483090.....	9.2
FAF603090.....	9.2
FAF723090.....	9.2
FAF483090DF.....	9.3
FAF603090DF.....	9.3
FAF723090DF.....	9.3
FAF483090-AA.....	9.4
FAF603090-AA.....	9.4
FAF723090-AA.....	9.4
FHD-1362.....	9.5
FHD-1372.....	9.5
FL271530-FL482136.....	1.11, 11.4
FR271530-FR482136.....	1.11, 11.4
GS271218-GS481648.....	2.8, 11.9
HG121218-HG481648.....	2.5, 11.7, 11.8
HG121284-HG482384.....	3.3, 11.11
HP271536-HP482936.....	1.9, 11.4
HW121218-HW481648.....	2.4, 11.6, 11.7
HW121284-HW482384.....	3.3, 11.11
I271530-I482136.....	1.9, 11.4
L-2003 through L2059.....	7.2
M-115.....	8.2
M-115HC.....	8.2
M-315.....	8.2
M-315HC.....	8.2
M-324.....	8.2
M-324HC.....	8.2
M-365.....	8.2
M-365HC.....	8.2
M-401.....	8.3
M-480.....	8.3
M-709.....	8.4
M-731.....	8.4
M-735.....	8.4
M-760.....	8.3





# Numerical Index

M-761.....	8.3	SW271218-SW481648.....	2.6, 11.8
M-810-540.....	8.3	SW271284-SW482384.....	3.4, 11.12
M-811.540.....	8.3	WGC242418-WGC282848.....	2.10, 11.10
M-812-540.....	8.3	WMMD-7230.....	6.2
M-814-540.....	8.3	WWC242418-WWC282848.....	2.9, 11.9
M-962-HC.....	8.4	X-747.....	4.19
M-963-HC.....	8.4	X-749.....	4.19
M-967.....	8.4	X-747X.....	4.19
M-968.....	8.4		
M-971.....	8.4		
MBS422366.....	6.3		
MSC422366.....	6.3		
MTC422366.....	6.3		
OB292930-OB292936.....	1.12, 11.4		
OBR292930-OBR292936.....	1.12, 11.4		
OE292930-OE292936.....	1.12, 11.4		
OER292930-OER292936.....	1.12, 11.4		
OH121218-OH481648.....	2.3, 11.6		
OS121284-OS482384.....	3.4, 11.11		
P302430-P723036.....	1.13, 11.5		
P302430HC-P723034HC.....	1.13, 11.5		
PB-2430 through PB-3630.....	7.4		
PX302430HC-PX723034HC.....	1.13, 11.5		
Q212430-Q723036.....	1.13, 1.14, 11.5		
R212430-R723036.....	1.14, 11.5		
SC1460.....	10.3		
SC1423 through SC1448.....	10.2		
SC1822 through SC1848.....	10.2		
SC1860.....	10.3		
SC1861.....	10.3		
SC2060.....	10.3		
SC3000.....	10.3		
SC3010.....	10.3		
SC3050.....	10.3		
SG271218-SG481648.....	2.7, 11.8		
SG271284-SG482384.....	3.4, 11.12		
SL-2958 through SL-2975.....	4.6		
SLAH-2958 through SLAH-2975.....	4.8		
SLAHC-2958 through SLAHC-2975.....	4.9		
SLC-2958 through SLC-2975.....	4.7		





2022 EDITION

2022 EDITION